



Cultural and creative lighting overall
solution service provider

广州达森灯光股份有限公司
GUANGZHOU DASEN LIGHTING CORP
www.dasenlite.cn



服务热线 / Tel: 020-66805880
地址: 广州市花都区花山镇华侨工业园育才路12号
Add: No.12 Yucui Road, Huaqiao Industrial Park, Huashan Town,
Huadu District, Guangzhou, China



by | Cultural and creative lighting overall
solution service provider

2026-
2027

**2026-
2027**

Products Catalogue

Company Profile

- Company Profile
- History

Product catalogue

- Joy
- Charm
- Blossom
- Rainbow
- Hope
- Spring
- Flame

Light and shadow together
shine forever like the sun
and the moon





文创灯光 全案解决服务商
Cultural and creative lighting overall
solution service provider

企业简介

广州达森灯光股份有限公司成立于2008年，是集“方案设计、研发制造、控制编程、施工安装、维护升级”于一体的国家高新技术企业，为客户提供专业的舞台灯光、景观照明、全息投影等一体化整体解决方案。

公司占地面积达35000多平方米，拥有价值一千余万元的先进自动化生产设备及各种研发实验和品检设备。

我们高度重视知识产权，拥有三百余项LED灯光专利，以“夜游经济”为载体，凭借集大成的光、色技术优势和艺术文化理念，创领舞台灯光、景观照明、全息投影等大跨界、大融合，为伦敦奥运会、巴西世界杯、日本富士电视台、梅赛德斯-AMG、湖北卫视等众多客户提供优质的产品、贴心的服务以及卓越的品牌体验。

我们始终坚信“人”才是公司的主要资产，不断地为各类人才提供更好的发展平台和提高进步的机会，并战略性地与咨询管理公司合作，进行公司企业文化的前端设计和团队管理水平的提升。

我们始终秉持“责任、诚信、感恩”的经营管理理念，围绕责任、坚持诚信、做好品质和服务，回馈客户、员工和社会。

我们始终认为市场竞争归根到底是团队之间的竞争，我们将持续不断地强化三大核心竞争力—战斗力、凝聚力和学习力。

未来，达森灯光将继续围绕LED灯光行业，打造璀璨辉煌的LED灯光世界，为“中国创造”形象和人类环保事业做出我们应有的贡献！

Company profile

Guangzhou Dasen Lighting Corp, founded in 2008, is a national high-tech enterprise which integrates with "Lighting Design, Product R&D and manufacturing, Control & programming, Installation, Maintenance and upgrading". We provide customers with the overall solution including professional stage lighting, landscape lighting, holographic projection, etc. Covering an area of 35000 square meters, we now have advanced automated production equipment and various kinds of experiment research and quality inspection equipment which worth more than ten million RMB.

Attaching great importance to intellectual property, we own more than 300 patents of LED lights. Taking "vigil economy" as the carrier, with the advantages of integrated light and color technology, artistic culture idea. Creating the big crossover and integration of LED stage lighting, landscape lighting, holographic projection, etc. We provide quality products, attentive service, as well as excellent brand experience to our many customers, such as the London Olympic Games, the World Cup in Brazil, Japan Fuji TV, Mercedes-AMG, Hubei TV.

Believing that "people" is the main property of a company, we regularly provide a better development platform and advancement opportunities for different talents, as well as cooperate with management and consulting company for corporate culture design and team management improvement. Believing "responsible, grateful, faithful" as our values, we emphasize on social responsibility, adhere to honesty, focus on quality and service to pay back to our customers, employees and society.

Always believing that the market competition is the competition between teams. We will continuously strengthen three core competitiveness - combat effectiveness, cohesion and learning ability.

In the future, Dasen Lighting Corp will continue to concentrate on LED lighting to create a bright and colorful LED lighting world, devoting to the promotion of "Created in China" image to the world and human environmental protection.



发展 DEVELOPMENT HISTORY 历程

Founded
扬帆起航
3万元4个人，创办企业

2008

企业精神
凝聚力 战斗力 学习力
Enterprise spirit
Study, Cohesion, Efficiency

Reform and Upgrade
革新升级
“创造光彩价值”的企业使命应运而生

2010

使命
创造光彩价值，成就团队梦想
为中国创造走向世界而努力奋斗
Mission
Create The Value Of Our Light, Achieve
The Dream Of Our Team, Make Arduous
Efforts To Bring “Created In China”
To The World

Counterattack
The global industry is in recession
Achieve year-on-year growth of 50%
华丽逆袭
全球行业不景气下，实现同比增长50%

2012

Intellectual Property Pilot Enterprises
Famous Trademark of Guangzhou;
Globally registered brand "Intuiit".
跨界融合
率先提出跨界融合理念
不再以灯光论灯光，不再以灯光论达森

2015

愿景
成为世界LED灯光行业领先品牌
Vision
To be The Leading Brand Of LED
Industry In The World

Receive Honor
CCTV Award of Most Investment Value;
Gold Award of China Lighting Project;
Top 10 Brand of China Landscape Lighting
斩获荣誉
斩获CCTV最具投资价值奖
年度景观照明行业领军人物

2016

价值观
责任 诚信 感恩
Values
Responsible, Faithful, Grateful

Cultural and Creative Lighting
Creating the big crossover and integration
of led stage light, landscape light,
holographic project and etc
文创灯光
文化+创意，EPC
成为文创灯光全案解决服务商
荣获阿拉丁神灯奖“十大工程”“十大设计”

2017-2019

Joy

1

Outdoor Waterwave Light



23

Outdoor Gobo Light



25

Digital Projector



Charm

29

Outdoor Slim Par



49

Outdoor Flood Light



65

Outdoor Slim Par



Blossom

69

Outdoor Wall Washer



71

Outdoor Wall Washer



Rainbow

95

Battery Light



Hope

101

Outdoor Blinder



Spring

105

Wash Moving Head



107

Wash Moving Head



Flame

113

Controller



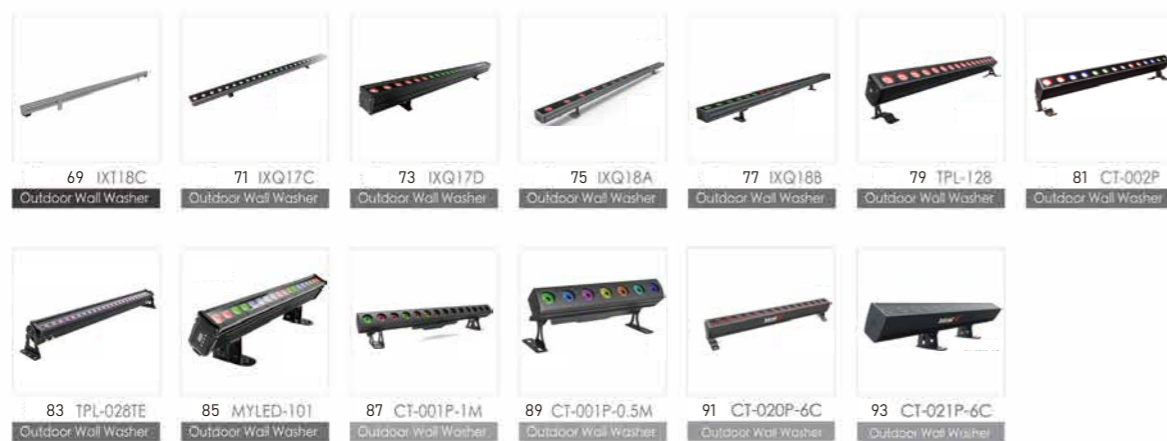
Joy



Charm



Blossom



Rainbow



Hope



Spring



Flame



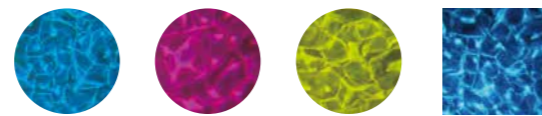




SW-050P

60W White LED outdoor water-wave floor light

- 7 colors operation flexibly, can present rainbow water effect
- Very smooth Dimming gray transformation
- Support DMX512 and RDM bidirectional protocol
- Professional for the cultural tourism market, theme park, night view of distinctive town, live-action performance, bridge piers etc



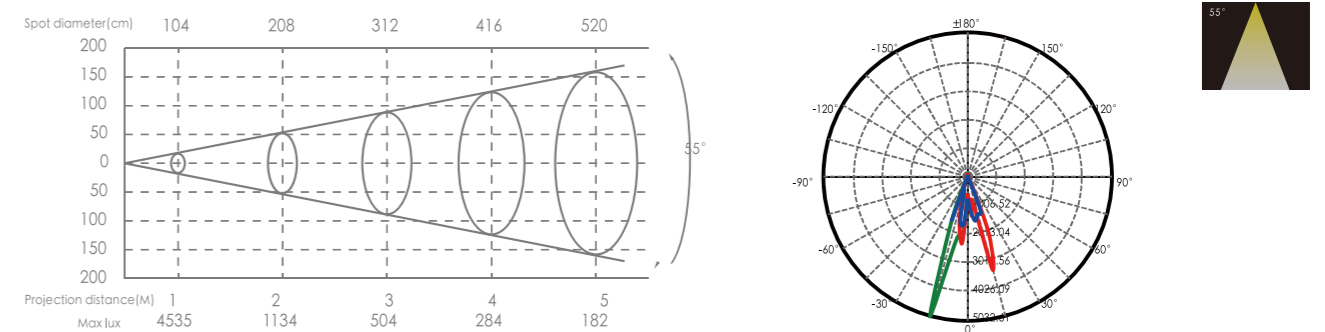
Housing color can be customized



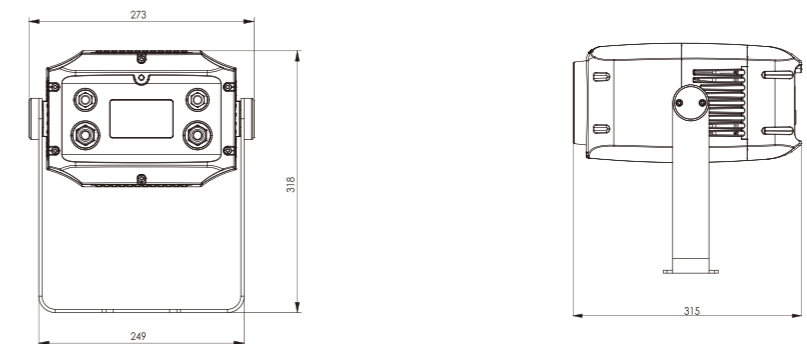
SW-050P Parameter

LED	Imported 60W white light group	Color	Carmine, Green, Blue, Buff, Light blue, Sky blue, Orange-red
CCT	7500K	Focus	Electronic
Lumen	900lm	Dimensions	398x273x165mm
Beam angle	35°,55°,80°	N.W.	9.8KG
Input voltage	AC100-240V,50-60Hz	Housing material	Magnesium-aluminium alloy
Power	60W	Housing color	Cement grey / Black
Drive current	3.3A	Power cable	Black rubber cable 3Pin In & Out
Dimming	16Bit	DMX cable	Black rubber cable 2Pin In & Out
Cooling	Convection	Electrical safety class	I
Control protocol	DMX512、 RDM	EMC	EMC,EMI
DMX channel	6CH, 7CH	Permitted Ambient Temperature	-20 ~ +45°C
Function	Present ainbow water effect, Water-wave speed can be adjustable	IP Grade	IP65

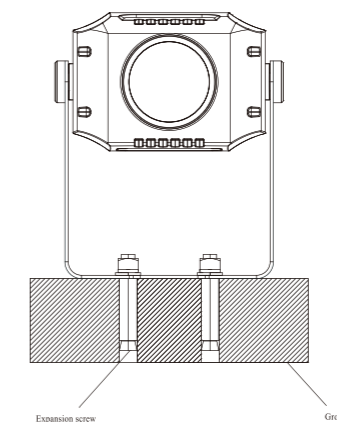
SW-050P Optical Parameters



SW-050P Specifications



SW-050P Installation Instruction

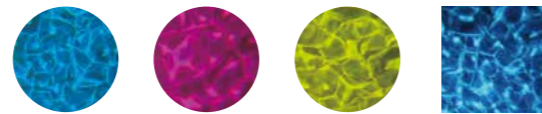




SW-080P

100W White LED outdoor water-wave floor light

- 7 colors operation flexibly, can present rainbow water effect
- Very smooth Dimming gray transformation
- Support DMX512 and RDM bidirectional protocol
- Professional for the cultural tourism market, theme park, night view of distinctive town, live-action performance, bridge piers etc



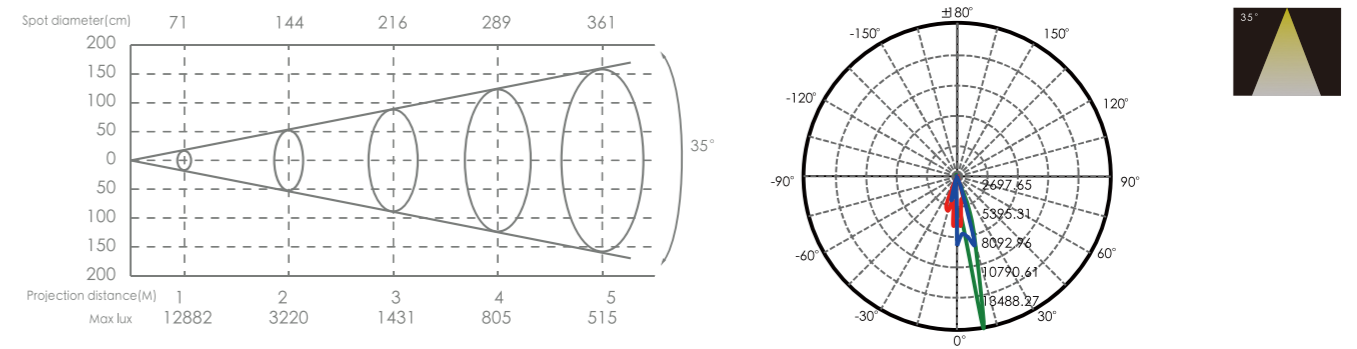
Housing color can be customized



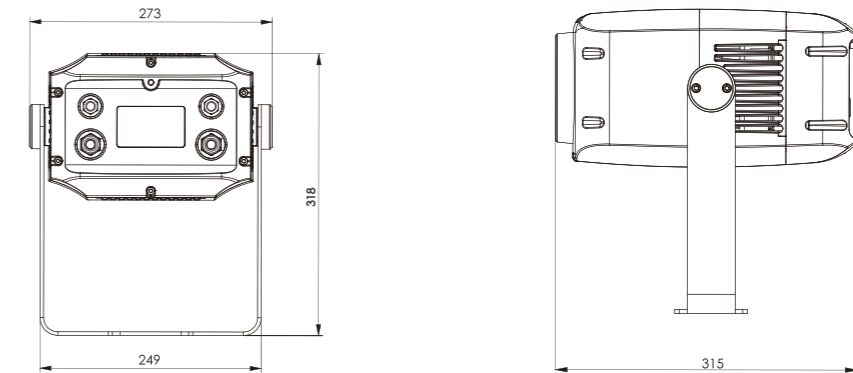
SW-080P Parameter

LED	Imported 100W white light group	Color	Carmine, Green, Blue, Buff, Light blue, Sky blue, Orange-red
CCT	7500K	Focus	Electronic
Lumen	1600lm	Dimensions	398x273x165mm
Beam angle	35°,55°,80°	N.W.	9.8KG
Input voltage	AC100-240V,50-60Hz	Housing material	Magnesium-aluminium alloy
Power	100W	Housing color	Cement grey / black
Drive current	6.3A	Power cable	black rubber cable 3 Pin In & Out
Dimming	16Bit	DMX cable	black rubber cable 2 Pin In & Out
Cooling	convection + Fan cooling	Electrical safety class	I
Control protocol	DMX512, RDM	EMC	EMC, EMI
DMX channel	6CH, 7CH	Permitted Ambient Temperature	-20 ~ +45°C
Function	Present rainbow water effect, Water-wave speed can be adjustable	IP Grade	IP65

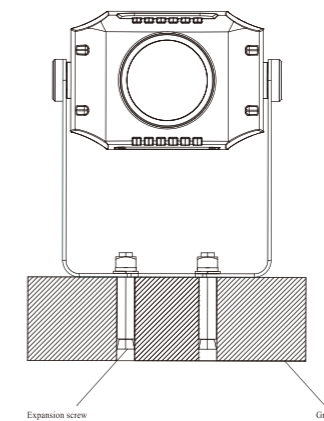
SW-080P Optical Parameters



SW-080P Specifications



SW-080P Installation Instruction

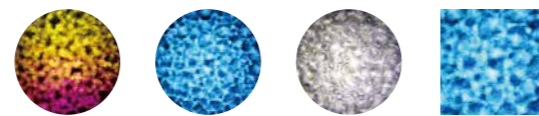




SW-100P

200W White LED outdoor water-wave floor light

- 7 colors operation flexibly, can present rainbow water effect
- Very smooth Dimming gray transformation
- Support DMX512 and RDM bidirectional protocol
- Professional for the cultural tourism market, theme park, night view of distinctive town, live-action performance, bridge piers etc



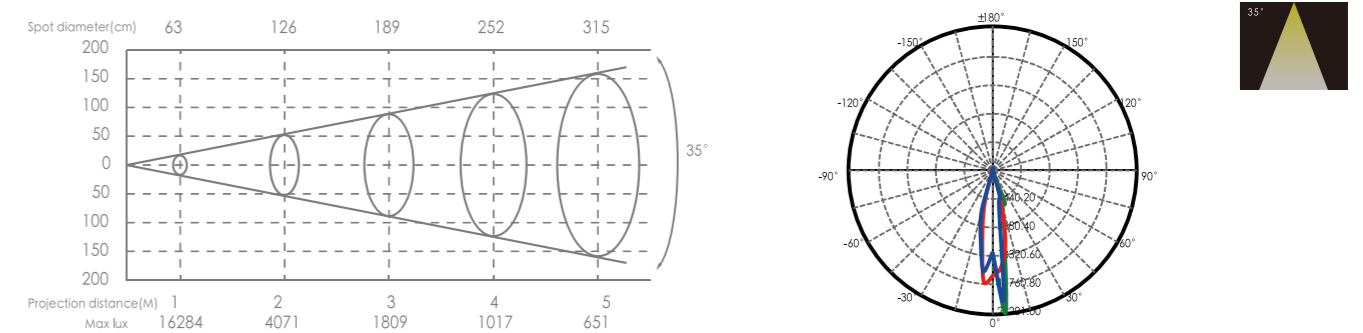
Housing color can be customized



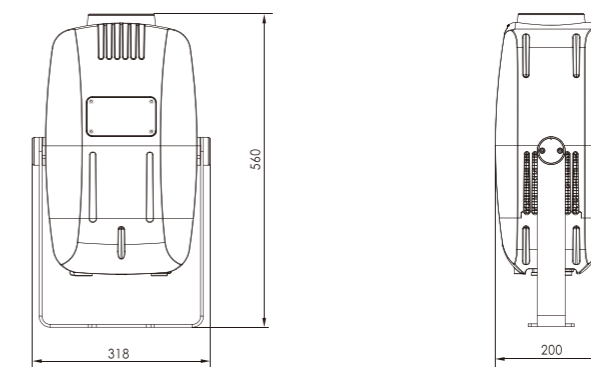
SW-100P Parameter

LED	Imported 200W white light group	Color	Carmine, Green, Blue, Buff, Light blue, Sky blue, Orange-red
CCT	7500K	Focus	Electronic
Lumen	2900lm	Dimensions	560x318x200mm
Beam angle	35°, 45°, 60°	N.W.	12KG
Input voltage	AC100-240V, 50-60Hz	Housing material	Magnesium-aluminium alloy
Power	220W	Housing color	Cement grey / Black
Drive current	13A	Power cable	Black rubber cable 3 Pin In & Out
Dimming	16Bit	DMX cable	Black rubber cable 2 Pin In & Out
Cooling	Convection + Fan cooling	Electrical safety class	I
Control protocol	DMX512, RDM	EMC	EMC, EMI
DMX channel	6CH, 7CH	Permitted Ambient Temperature	-20 ~ +45°C
Function	Present rainbow water effect, Water-wave speed can be adjustable	IP Grade	IP65

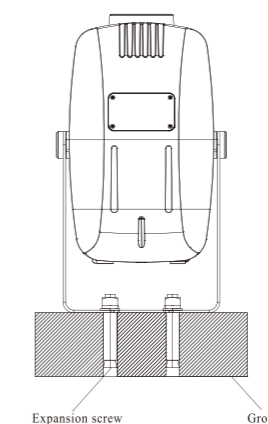
SW-100P Optical Parameters



SW-100P Specifications



SW-100P Installation Instruction

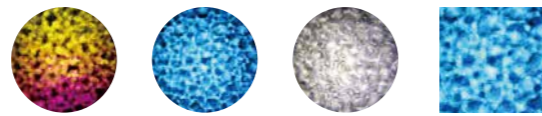




SW-301P

400W LED outdoor water-wave floor light

- 7 colors operation flexibly, can present rainbow water effect
- Very smooth Dimming gray transformation
- Support DMX512 and RDM bidirectional protocol
- Professional for the cultural tourism market, theme park, night view of distinctive town, live-action performance, bridge piers etc



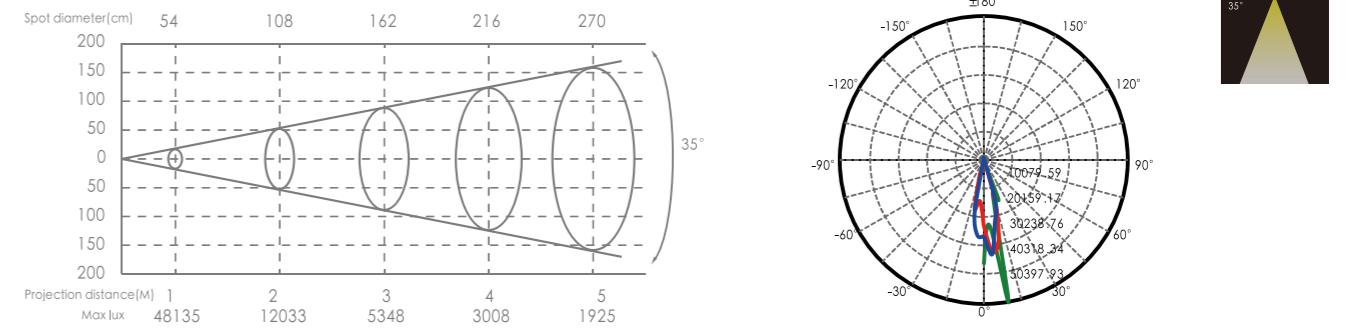
Housing color can be customized



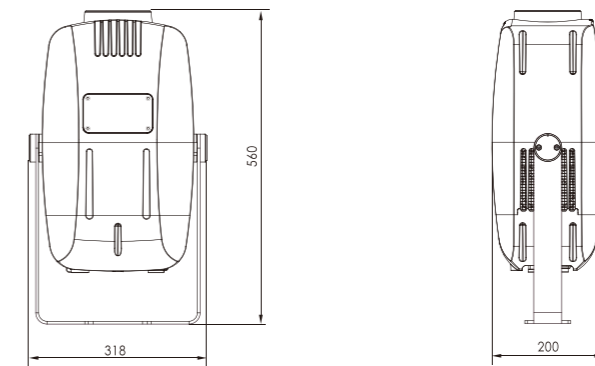
SW-301P Parameter

LED	400W white light group	Color	Carmine, Green, Blue, Buff, Light blue, Sky blue, Orange-red
CCT	8000K	Focus	Electronic
Lumen	5200lm	Dimensions	560x318x200mm
Beam angle	35°, 60°	N.W.	13.5KG
Input voltage	AC100-240V, 50-60Hz	Housing material	Magnesium-aluminium alloy
Power	410W	Housing color	Cement grey / black
Drive current	9A	Power cable	black rubber cable 3 Pin In & Out
Dimming	16Bit	DMX cable	black rubber cable 2 Pin In & Out
Cooling	Convection + fan cooling	Electrical safety class	I
Control protocol	DMX512, RDM	EMC	EMC, EMI
DMX channel	7CH, 8CH	Permitted Ambient Temperature	-20 ~ +45°C
Function	Present rainbow water effect, Water-wave speed can be adjustable	IP Grade	IP65

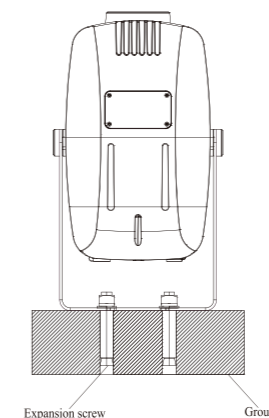
SW-301P Optical Parameters



SW-301P Specifications



SW-301P Installation Instruction





SW-150P

60W White LED outdoor Gobo Light

- Color wheel and Gobo wheel can be transformed easily
- Very smooth Dimming gray transformation
- Gobo can be switched flexibly, accurate rotation and positioning, with clear Logo imaging
- Support DMX512 and RDM bidirectional protocol
- Professional for the cultural tourism market, theme park, night view of distinctive town, live-action performance, bridge piers etc



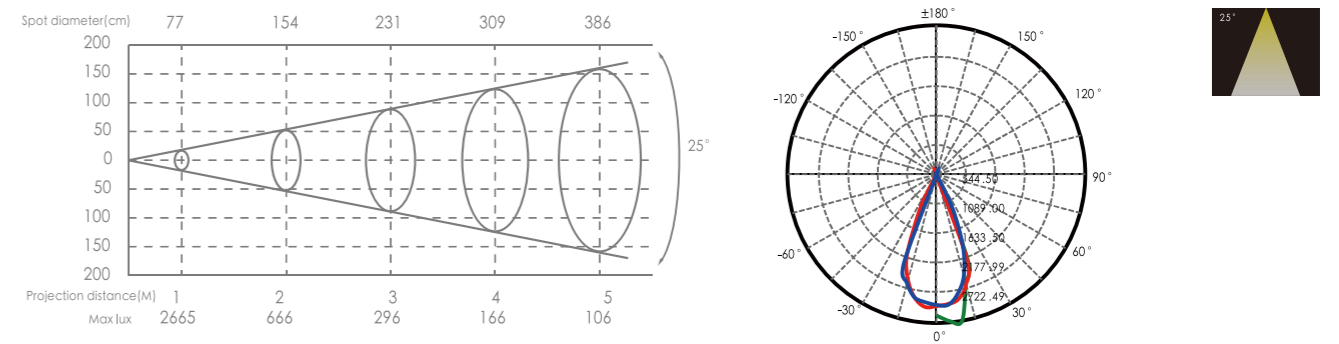
Housing color can be customized



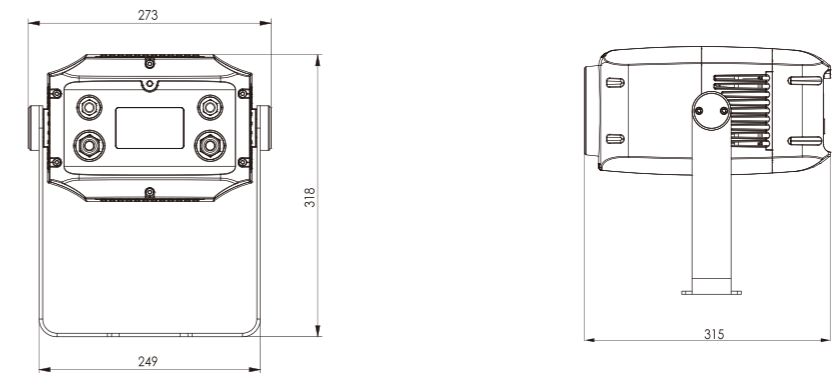
SW-150P Parameter

LED	Imported 60W white light group	Color	Carmine, Green, Blue, Buff, Light blue, Sky blue, Orange-red
CCT	8000K	Focus	Electronic
Lumen	1794lm	Dimensions	398x273x165mm
Beam angle	25°,55°	N.W.	8.45KG
Input voltage	AC100-240V,50-60Hz	Housing material	Magnesium-aluminium alloy
Power	60W	Housing color	Cement grey / black
Drive current	3.3A	Power cable	black rubber cable 3 Pin In & Out
Dimming	16Bit	DMX cable	black rubber cable 2 Pin In & Out
Cooling	convection	Electrical safety class	I
Control protocol	DMX512、RDM	EMC	EMC,EMI
DMX channel	7CH, 8CH	Permitted Ambient Temperature	-20 ~ +45°C
Function	Present rainbow water effect, Water-wave speed can be adjustable	IP Grade	IP65
Rotation Gobo	1 (7+1 Auto-rotating Gobo, can be shaking, rotated forward and backward, Gobo can be customized)		

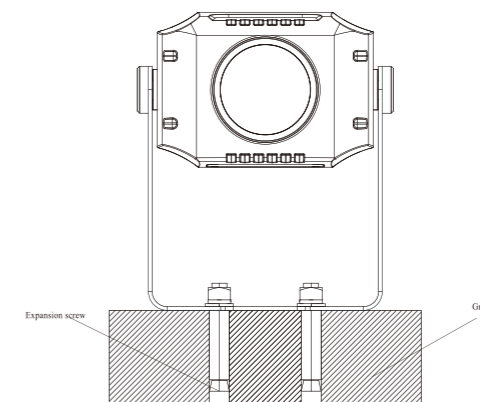
SW-150P Optical Parameters



SW-150P Specifications



SW-150P Installation Instruction





SW-180P

100W White LED outdoor Gobo Light

- Color wheel and Gobo wheel can be transformed easily
- Very smooth Dimming gray transformation
- Gobo can be switched flexibly, accurate rotation and positioning, with clear Logo imaging
- Support DMX512 and RDM bidirectional protocol
- Professional for the cultural tourism market, theme park, night view of distinctive town, live-action performance, bridge piers etc



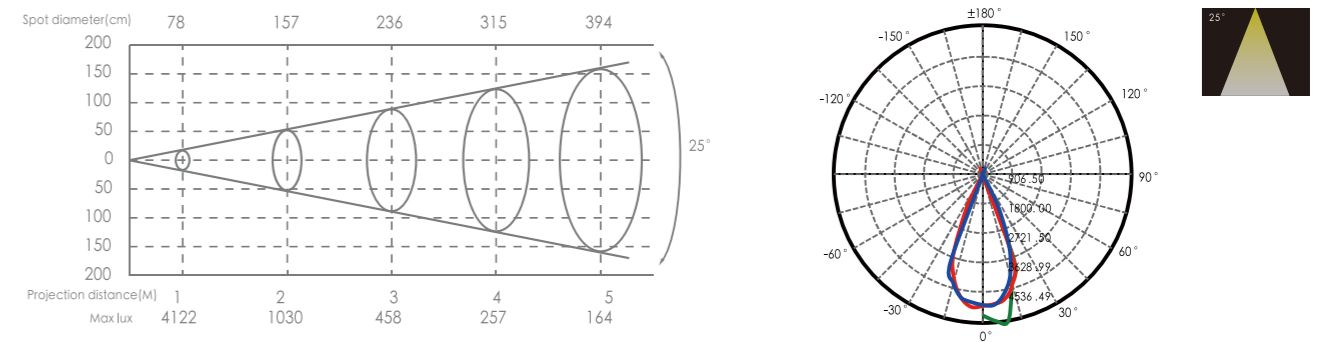
Housing color can be customized



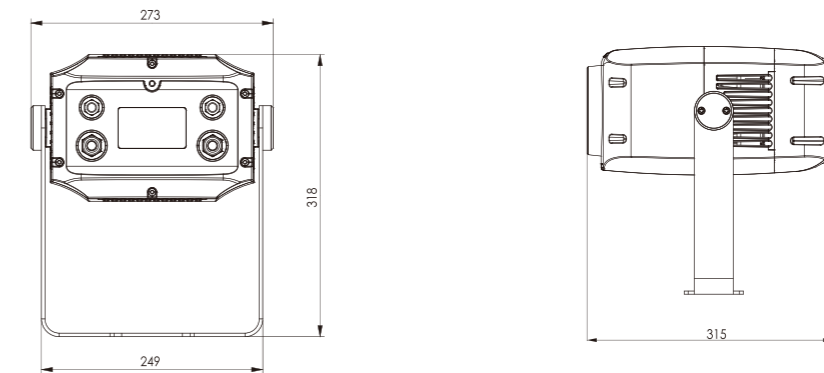
SW-180P Parameter

LED	Imported 90W white light group	Color	Carmine, Green, Blue, Buff, Light blue, Sky blue, Orange-red
CCT	8000K	Focus	Electronic
Lumen	2300lm	Dimensions	398x273x165mm
Beam angle	25°, 55°	N.W.	9KG
Input voltage	AC100-240V, 50-60Hz	Housing material	Magnesium-aluminium alloy
Power	100W	Housing color	Cement grey / black
Drive current	6.3A	Power cable	black rubber cable 3 Pin In & Out
Dimming	16Bit	DMX cable	black rubber cable 2 Pin In & Out
Cooling	Convection + Fan cooling	Electrical safety class	I
Control protocol	DMX512, RDM	EMC	EMC, EMI
DMX channel	7CH, 8CH	Permitted Ambient Temperature	-20 ~ +45°C
Function	Present rainbow water effect, Water-wave speed can be adjustable	IP Grade	IP65
Rotation Gobo	1 (7+1 Auto-rotating Gobo, can be shaking, rotated forward and backward, Gobo can be customized)		

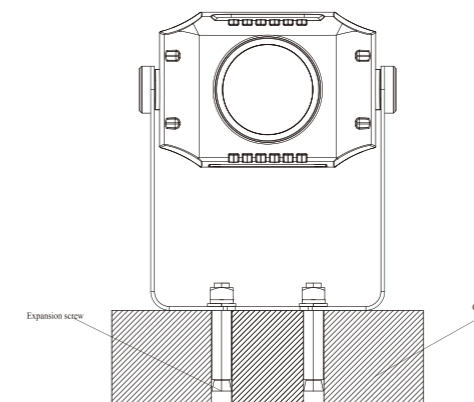
SW-180P Optical Parameters



SW-180P Specifications



SW-180P Installation Instruction





SW-200P

200W LED outdoor Gobo Light
LED White color module

- Color wheel, fixed gobo wheel, rotating gobo wheel, prism and atomization effect can be transformed easily
- Very smooth Dimming gray transformation
- Gobo can be switched flexibly, accurate rotation and positioning, with clear Logo imaging
- Support DMX512 and RDM bidirectional protocol
- Professional for the cultural tourism market, theme park, night view of distinctive town, live-action performance, bridge piers etc



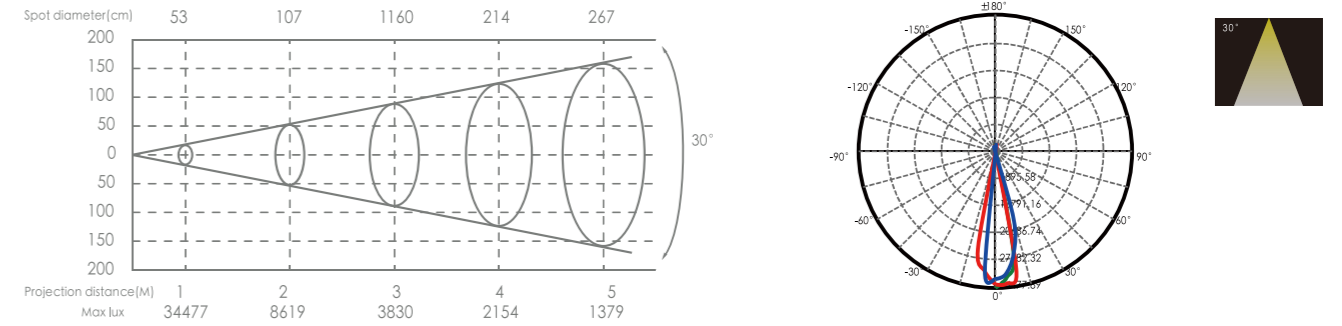
Housing color can be customized



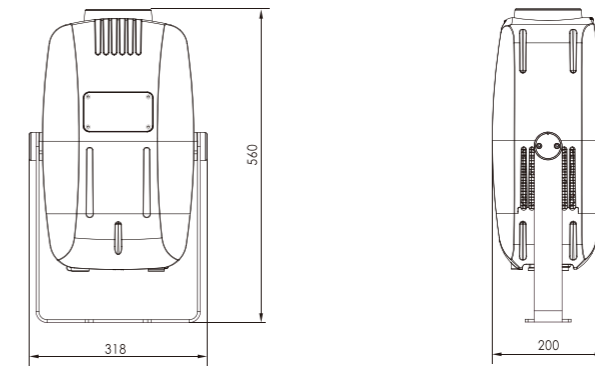
SW-200P Parameter

LED	Imported 200W white light group	Color	Red, Green, Blue, Yellow, light blue, Magenta, Orange
CCT	7500K	Prism	Four-prism
Lumen	4500lm	Focus	Electronic
Beam angle	15°, 30°, 45°	Frost	1pcs professional atomization lens
Input voltage	AC100-240V, 50-60Hz	Dimensions	560x318x200mm
Power	220W	N.W.	11.9KG
Drive current	13.5A	Housing material	Magnesium-aluminium alloy
Dimming	16Bit	Housing color	Cement grey / black
Cooling	Convection + fan cooling	Power cable	Black rubber cable 3 Pin In & Out
Control protocol	DMX512, RDM	DMX cable	Black rubber cable 2 Pin In & Out
DMX channel	10CH, 11CH	Electrical safety class	I
Function	Patterns and colors create a rainbow flow effect	EMC	EMC, EMI
Rotating wheel	1 (7+1 rotating gobo, gobo shake, gobo bi-directional rotation, gobo can be customized)	Permitted Ambient Temperature	-20 ~ +45°C
Fixed wheel	1 (7+1 fixed gobo, gobo shake, gobo bi-directional rotation)	IP Grade	IP65

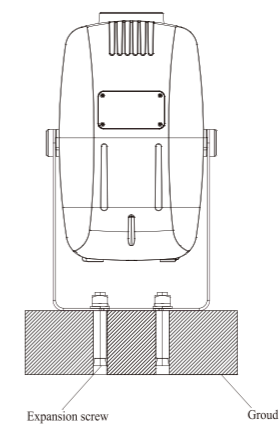
SW-200P Optical Parameters



SW-200P Specifications



SW-200P Installation Instruction





SW-201P

200W Outdoor Waterproof LED Zoom Gobo Light
LED White color module

- It is fitted with superior optical system. Zoom range: 10°-30°
- Color wheel with rich colors, fixed gobo wheel, rotating gobo wheel, prism, and atomization effect can be transformed easily. Very smooth dimming gray transformation
- Gobos can be switched flexibly, accurate rotation and positioning, with clear Logo image
- Professional for the cultural tourism market, theme park, theme town, live show, bridge piers etc



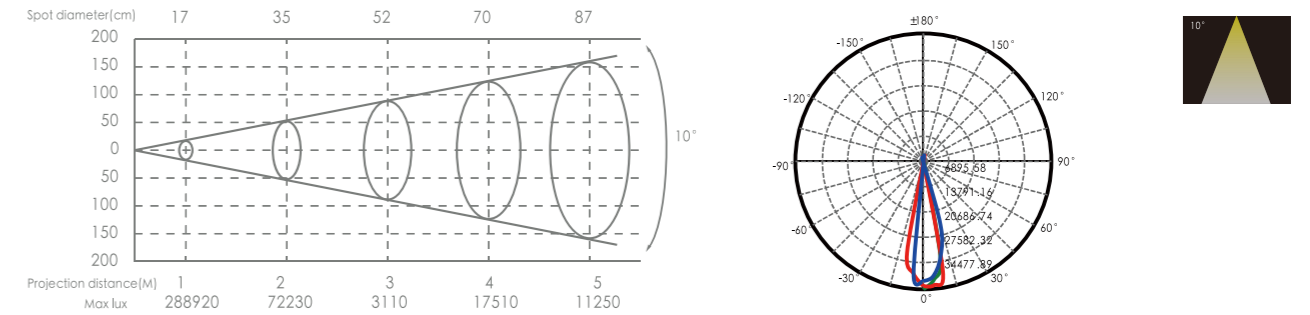
Housing color can be customized



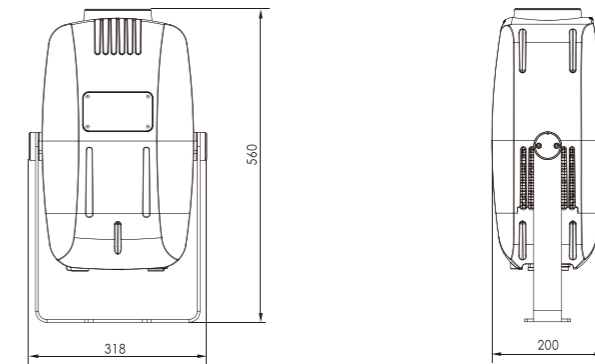
SW-201P Parameter

LED	Imported 200W cool white module	Color	Red, Green, Blue, Yellow, light blue, Magenta, Orange
CCT	7500K	Prism	3 prism
Lumen	5880/7423lm	Focus	Electronic focus
Beam angle	10°- 30°	Frost	1 frost filter
Input voltage	AC100-240V,50-60Hz	Dimensions	560x318x200mm
Power	220W	N.W.	11.9KG
Drive current	13.5A	Housing material	Die-casting Magnesium alloy
Dimming	16Bit	Housing color	Grey/Black
Cooling	Natural heat dissipation +Fan	Power cable	Power in/out (3-pin rubber cable)
Control protocol	DMX512、RDM	DMX cable	DMX in/out (3-pin rubber cable)
DMX channel	9CH,10CH	Electrical safety class	I
Function	Patterns and colors create a rainbow flow effect	EMC	EMC,EMI
Rotating wheel	1 (7+1 rotating gobo, gobo shake, gobo bi-directional rotation, gobo can be customized)	Permitted Ambient Temperature	-20 ~ +45°C
Fixed wheel	1(7+1 fixed gobo, gobo shake, gobo bi-directional rotation)	IP Grade	IP65

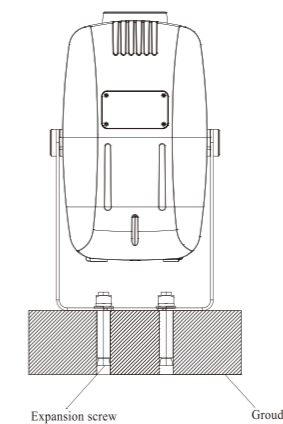
SW-201P Optical Parameters



SW-201P Specifications



SW-201P Installation Instruction





SW-302P 400W Outdoor Waterproof LED Gobo Light

- It is fitted with superior optical system. Beam angle: 15°, 30°, 55° optional
- Color wheel with rich colors, rotating gobo wheel, and atomization effect can be transformed easily. Very smooth dimming gray transformation
- Gobos can be switched flexibly, accurate rotation and positioning, with clear Logo image
- Professional for the cultural tourism market, theme park, theme town, live show, bridge piers etc



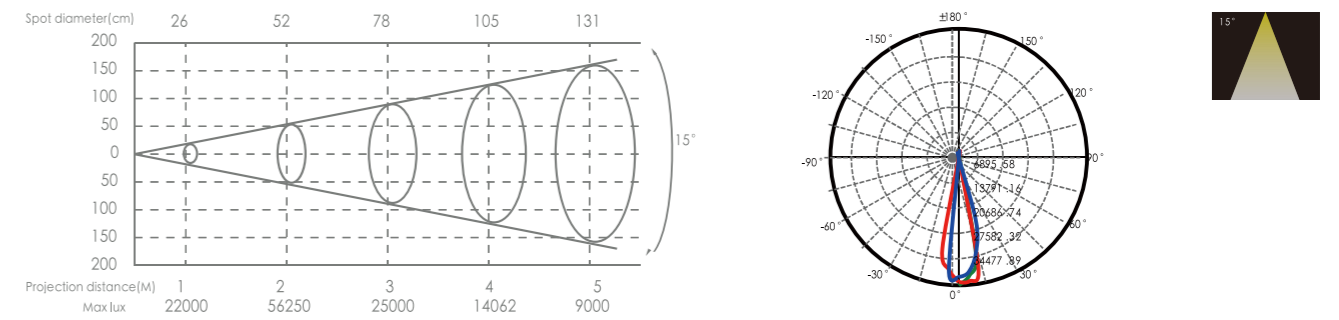
Housing color can be customized



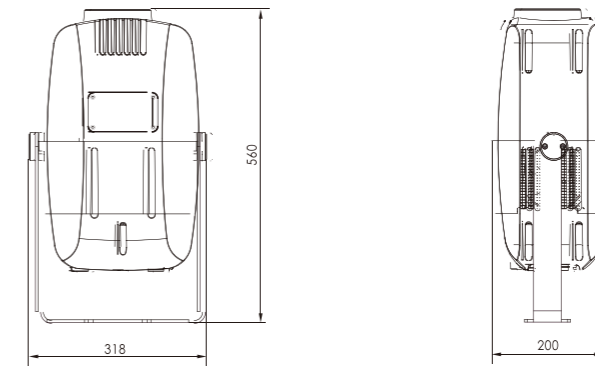
SW-302P Parameter

LED	Imported 400W cool white module	Color	Red, Green, Blue, Yellow, light blue, Magenta, Orange
CCT	7500K	Prism	/
Lumen	10500lm	Focus	Electronic focus
Beam angle	15°, 30°, 55°	Frost	/
Input voltage	AC100-240V, 50-60Hz	Dimensions	560x318x200mm
Power	400W	N.W.	13.5KG
Drive current	13.5A	Housing material	Die-casting Magnesium alloy
Dimming	16Bit	Housing color	Grey/Black
Cooling	Natural heat dissipation + Fan	Power cable	Power in/out (3-pin rubber cable)
Control protocol	DMX512, RDM	DMX cable	DMX in/out (3-pin rubber cable)
DMX channel	5CH, 6CH	Electrical safety class	I
Function	Patterns and colors create a rainbow flow effect	EMC	EMC, EMI
Rotating wheel	1 (6+1 rotating gobo, gobo shake, gobo bi-directional rotation, gobo can be customized)	Permitted Ambient Temperature	-20 ~ +45°C
		IP Grade	IP65

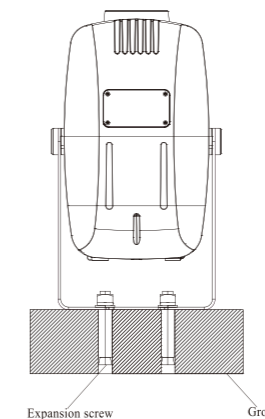
SW-302P Optical Parameters



SW-302P Specifications



SW-302P Installation Instruction





SW-303P

Imager HD 400
White LED Module

- Each images can be achieved fluttering effect
- Very smooth Dimming gray transformation
- Gobo can be switched flexibly, accurate rotation and positioning
- Support DMX512 and RDM bidirectional protocol
- Professional for cultural tourism market, commercial streets, theme parks, theme towns, theme restaurants, museums etc.



Housing color can be customized ■■■



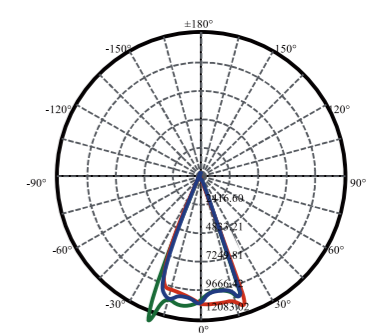
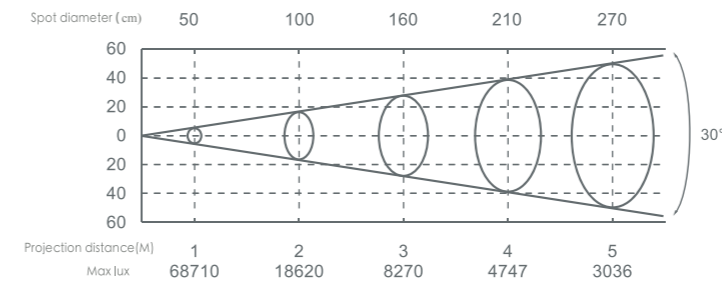
SW-303P

Parameter

Light source	400W Cool white module	Color	Red, Green, Blue, Yellow, light blue, Magenta, Orange
CCT	8000K	Dimension	560x318x200mm
Lumen	8678lm	N.W.	16.5KG
Beam angle	10°-30°	Housing material	Die-casting Magnesium alloy
Input voltage	AC100-240V,50-60Hz	Housing color	Grey / Black
Power	445W	Power cable	Power in/out (3-pin rubber cable)
Drive current	9A	Data cable	DMX in/out (3-pin rubber cable)
Dimming	16Bit	Electrical safety class	I
Cooling	Fan+ Fins	EMC	EMC,EMI
Control protocol	DMX512/RDM	Permitted Ambient Temperature	- 20 ~ +45 C
DMX channel	13CH	IP Grade	IP65
Function	Each images can present blowing,ripping effects	Rotating wheel	7Pcs Images
Fixed wheel	Fluttering images wheel		

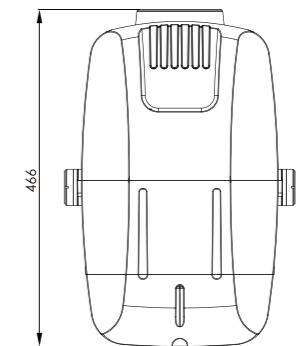
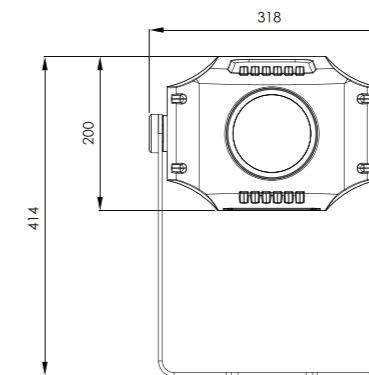
SW-303P

Optical Parameters



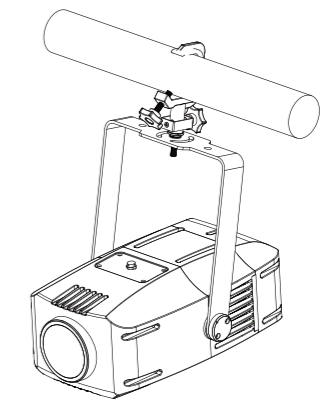
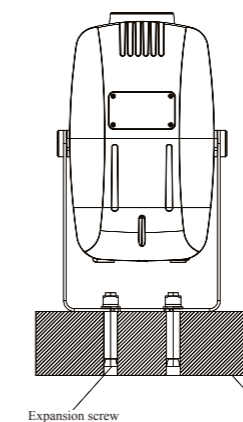
SW-303P

Specifications



SW-303P

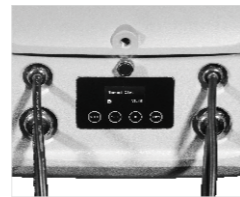
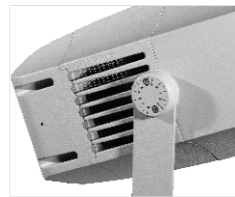
Installation Instruction



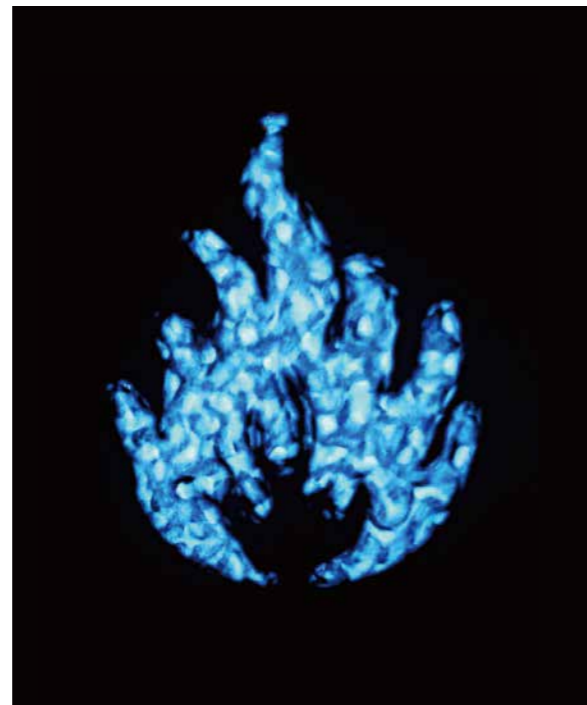


SW-309P-A
Imager HD 400

- Very smooth Dimming gray transformation
- Gobo can be switched flexibly, accurate rotation and positioning
- Support DMX512 and RDM bidirectional protocol
- Support custom-made images to achieve water wave effect
- Professional for cultural tourism market, commercial streets, theme parks, theme towns, theme restaurants, museums etc.



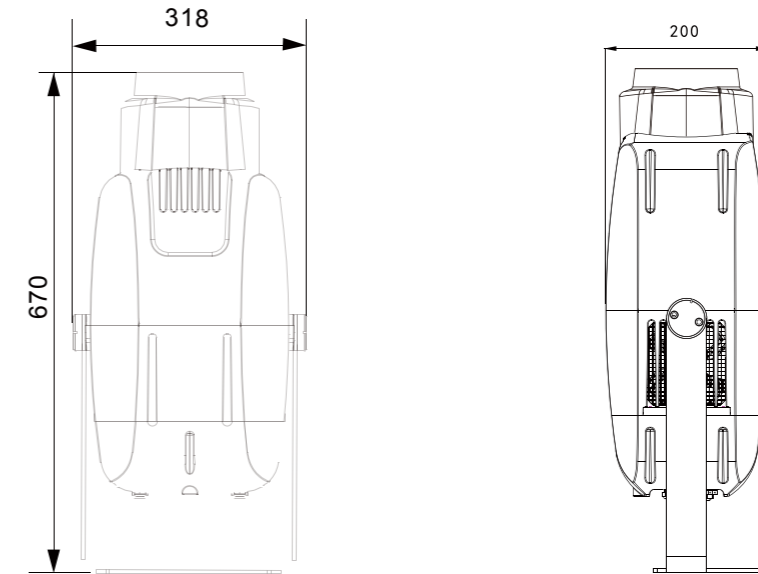
Housing color can be customized



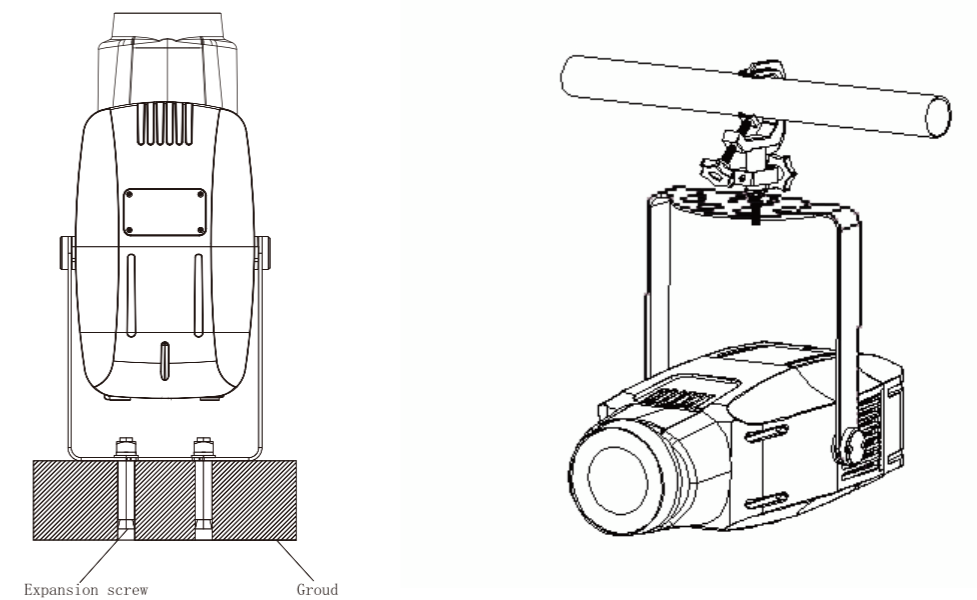
SW-309P-A Parameter

Light source	400W White COB	Color	Red, Green, Blue, Yellow, light blue, White
CCT	7250K	Dimension	318*200*670MM
Lumen	3381-4100 (lm)	N.W.	20KG
Beam angle	15-55°	Housing material	Die casting Magnesium Alloy
Input voltage	100-240V AC, 50-60Hz	Housing color	Matt Black/Grey
Power	400W	Power cable	Power in/out (3-pin rubber cable)
Drive current	8.2A	Data cable	DMX in/out (3-pin rubber cable)
Dimming	0-100%	Electrical safety class	I
Cooling	Radiator + fan	EMC	EMC, EMI
Control protocol	DMX512, RDM	Permitted Ambient Temperature	-20 ~ +45°C
DMX channel	10, 11CHs	IP Grade	IP65
Function	Built in, Master/Slave, DMX, Auto run, RDM	Rotating wheel	5Pos Images
Fixed wheel	Flutter image wheel		

SW-309P-A Specifications



SW-309P-A Installation Instruction





SW-060P
60W HD image projection

- Gobo wheel can be transformed easily
- Very smooth Dimming gray transformation
- with clear Logo imaging
- Support DMX512 and RDM bidirectional protocol
- Professional for cultural tourism market, commercial streets, theme parks, theme towns, theme restaurants, museums etc.



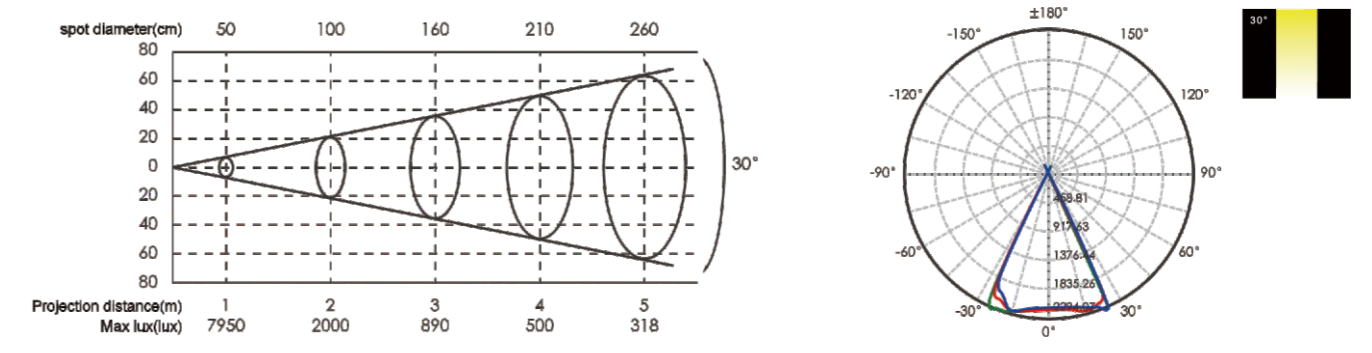
Housing color can be customized



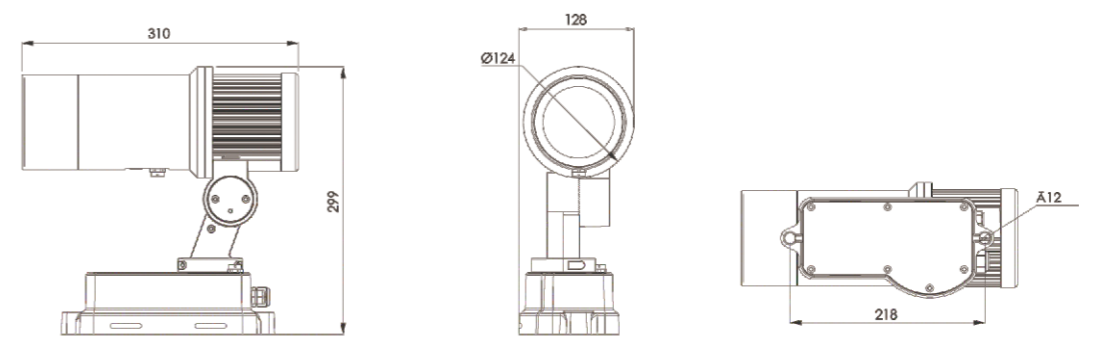
SW-060P Parameter

Light source	COB 60W	Operation mode	Button operation
CCT	8000K	Dimension	310*285*124MM
Lumen	1686lm	N.W.	4.5KG
Spot Angle	17°, 30°, 55°, 70°	Housing material	aluminium alloy
Input voltage	100-240V AC, 50-60Hz	Housing color	Matt Black/Grey
Power	60W	Power cable output	3 pins M19 male/female
Drive current	4A	DMX cable output	2 pins M16 male/female
Ra	77	Lamp direction	Adjustable
Dimming	0-100%	EMC	EMC, EMI
Cooling way	Natural heat dissipation	Permitted Ambient Temperature	-20 ~ +45°C
Control protocol	DMX512, RDM	IP Grade	IP65
Function	RDM, Master/Slave, DMX	Power supply	Built in
Operation mode	Button operation		

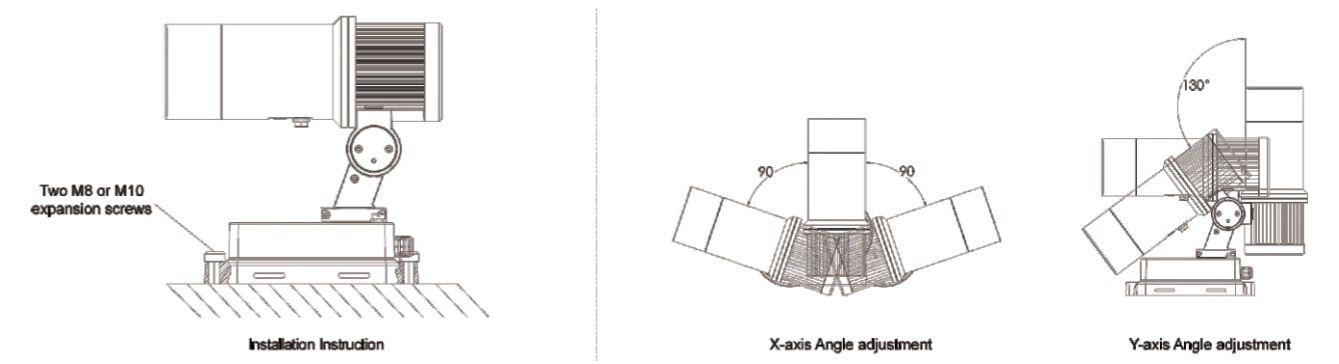
SW-060P Specifications

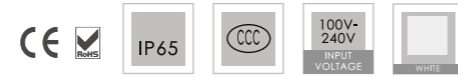


SW-060P Specifications



SW-060P Installation Instruction





LD-101P
Firefly light
Laser, Waterproof

- Imitate the glow effect from firefly
- Multiple & flexible control modes
- Support all day use
- Professional for the cultural tourism market, theme park, night view of distinctive town, live-action performance, bridge piers etc



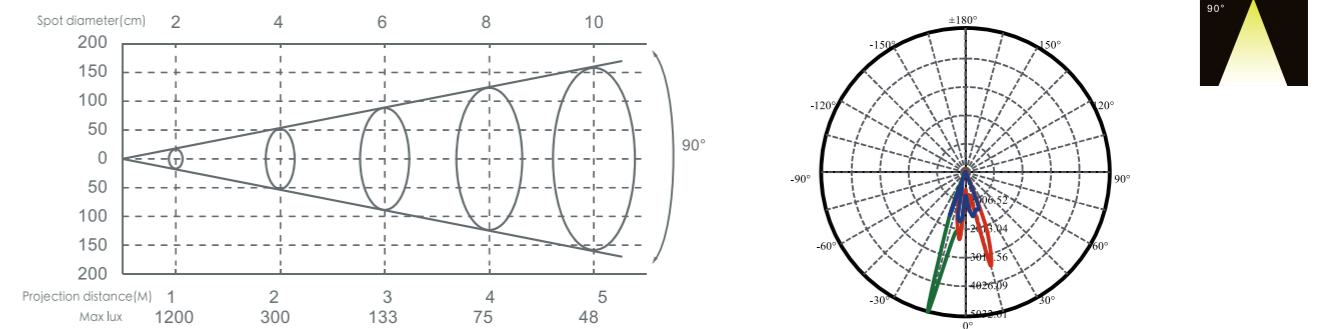
Housing color can be customized



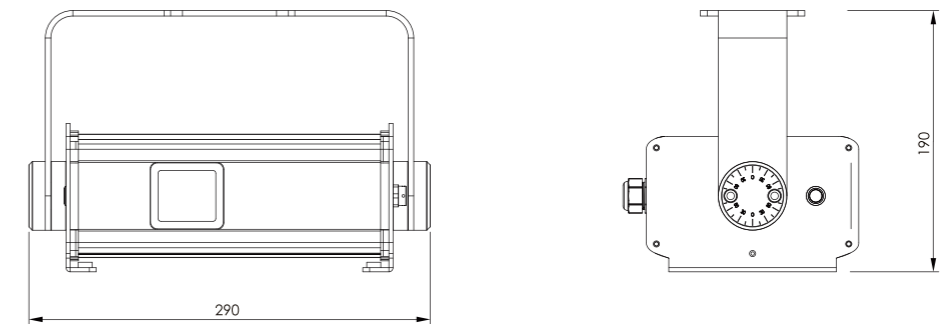
LD-101P Parameter

Light source	White Laser Light Source	Color	White light firefly effect
CCT	7500k	Effects Plate	Display different firefly effects by Specular reflection
Lumen	120lm	Dimension	290x190x155mm
Beam angle	90°	N.W.	3.15KG
Input voltage	AC100-240V, 50-60Hz	Housing material	Aluminum
Power	13W	Housing color	Cemert grey / Black
Drive current	1.03A	Power cable	3pin M19 rubber power cable
Dimming	16Bit	Electrical safety class	I
Cooling	Natural heat dissipation	EMC	EMC, EMI
Control protocol	Manual control	Permitted Ambient Temperature	-20~+45°C
Program modes	3 Modes switchable	IP Grade	IP65
Function	Each effects can rotated and fluttered		

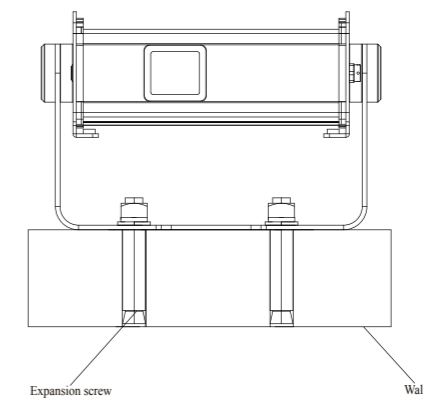
LD-101P Optical Parameters



LD-101P Specifications



LD-101P Installation Instruction





SW-2800P

3500lm laser light source ultrashort focal projector
leave constant temperature & humidity incubator

- Color control technology ensures the color reproduction
- Have a better stereoscopic sense and a good sharpness of the image because of the image detail processing technology
- Geometric correction can be carried out according to the shape of the carrier surface
- Have a rich functionality, like changing the video and pictures, pictures correction, rollovers, that can meet the lighting show requirement
- Build-in Bluetooth and WIFI function can play the effect at any time online
- External infrared and radar sensors can be connected to interact with person
- Professional for the cultural tourism market, theme park, night view of distinctive town, theme restaurant, museum etc

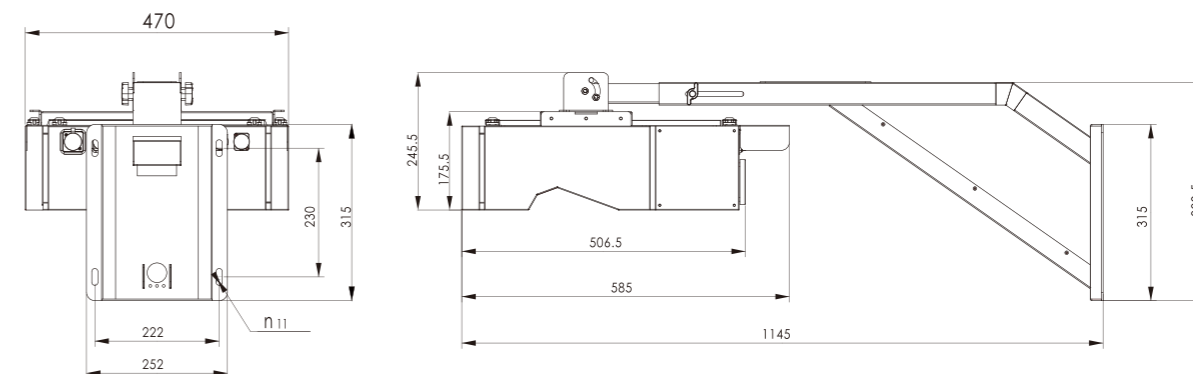
Housing color ■■■



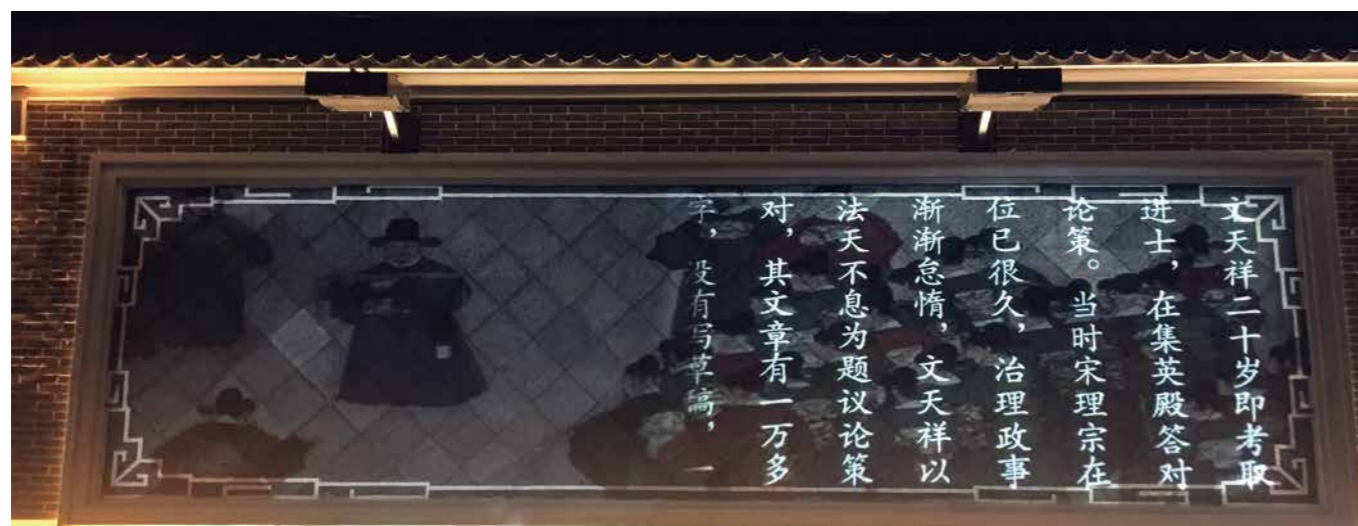
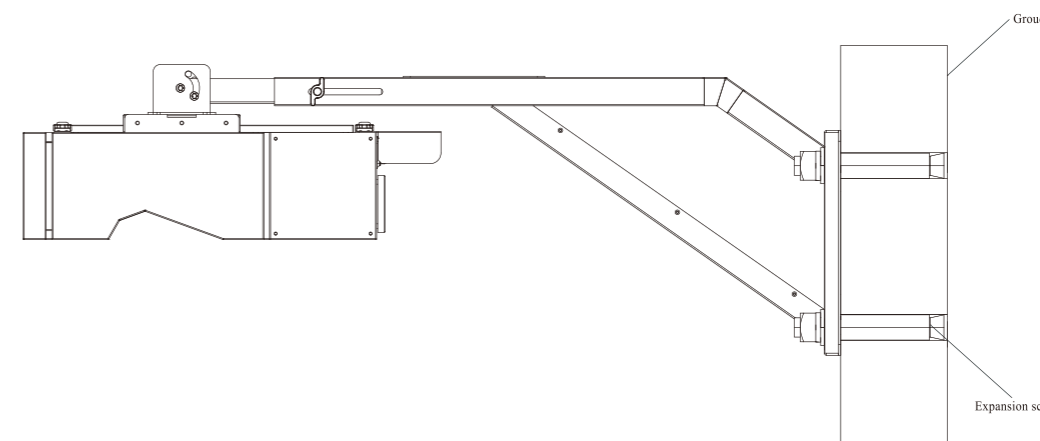
SW-2800P Parameter

Optics	Brightness (Lumen)	3500lm	Installation	Operation location	Any location around the operation and within the remote range
	Contrast ratio (W/B)	>10000 : 1		Suspension system	Base
	Projection ratio	0.233 : 1		Safety rope	Yes
	Brightness uniformity	>90%	Environment	Working temperature	-10 ~ 40°C
	Color temperature	7000K~9000K		Working humidity	0%~90%non-condensing
Color gamut	>78%NTSC	Storage temperature		-25~65°C	
Light source	Light type	Blue Laser	Product color	Storage humidity	0%~90%non-condensing
	Power	70W		Standard color	Black
	Lifetime (hours)	30000		Keystone correction	Vertical ±40°
Software facility	Channel	255	Others special function	Projection type	Front Projection-Desktop (forward or back), Lifting-projection (forward or back)
	Software updated type	USB、RDM、DMX 1.2		Input resolution	Under WUXGA@60Hz
	Data protocol	DMX 512		Length-width ratio	4:3, 16:9, 16:10, Eigen, padding, etc
Hardware facility	Display function	Yes		Built-in test chart	Min 5 types
	Manual button setting function	Yes		Screen parameters	Brightness, contrast ratio, hue, gamma, color temperature
	DMX input/output	Waterproof connector		Color parameters	7 basic colors for adjustment
Specifications	Power input/output	Waterproof connector		Default mode	Standard, demo, picture, video, user etc
	Input voltage range	100~240V		Basic information	Signal sources status, accumulated working time etc
	Input frequency range	50~60Hz		3D function	DLP link
Cooling system	Power	270W		Language	Chinese, English
	Type	Heat pipes + fan + housing	High altitude model	Yes	
Housing	Temperature protection	DMD、laser temperature protection	Trumpet	Yes	
	IP grade	IP54	Zooming	Electronic	
Certification	Requirement	3C、CE	Anto on	Yes, need to set opening the function	

SW-2800P Specifications



SW-2800P Installation Instruction

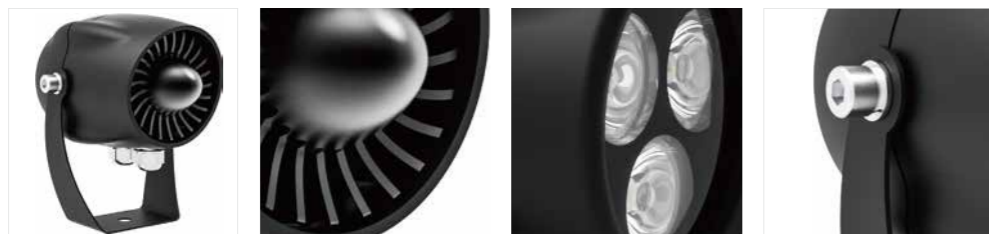




TG 009

A professional mini - round LED projector

- The fixture has configured superior optical system. It also have rich angles for different application
- Color change is natural, with better color mixing, meanwhile, it also have single white LED type optional
- DMX512 protocol which can maintain compatibility with all kinds of professional control system
- This fixture can be widely used in theme park, theme town and other places
- Meanwhile, TG009-6W optional AC220V, beside has it specified model no



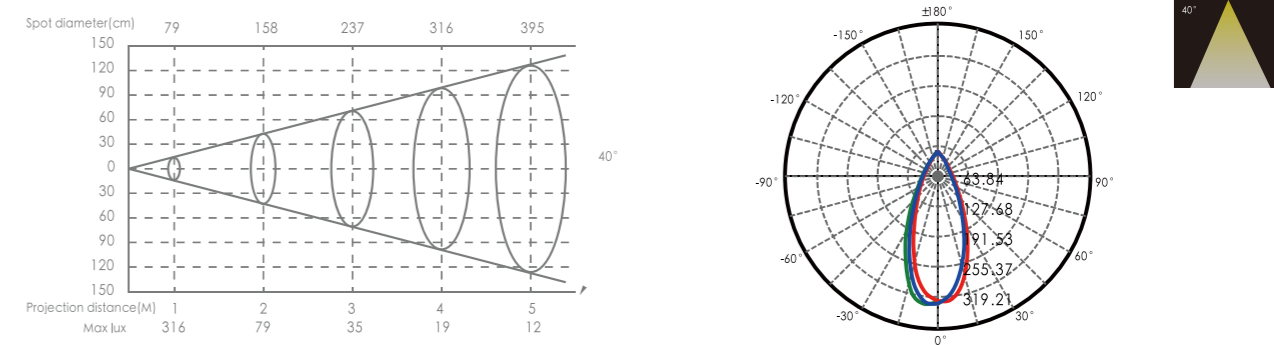
Housing color can be customized



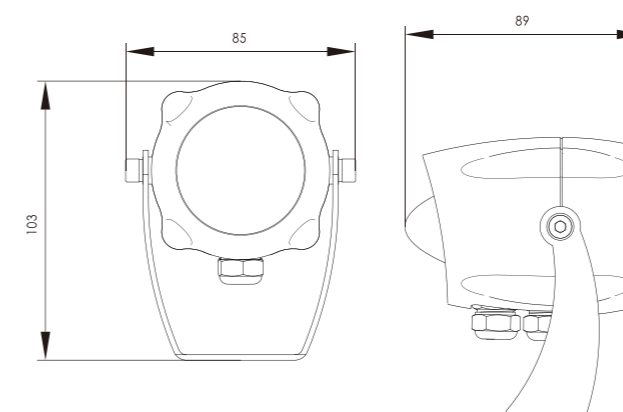
TG009 Parameter

Item Number	TG009-6W-D	TG009P03(D)	TG009-3P3C	TG009P05-RGBW(D)
LED	3pcs			
Beam Angle	10°/20°/30°/45°/60° Optional		20°/30°/45°/60° Optional	
Spot Angle	20°/40°/60°/80°/100° Optional		40°/60°/80°/100° Optional	
Lumen	440lm	440lm	177lm	175lm
CRI	Ra≥70			
Color	1800~6000K Optional		RGB	RGBW(W:3000/4000/6000K)
Dimensions	103x89x85mm			
N.W.	0.5kg			
Input Voltage	DC24V			
Power	6W			
Power Factor	>0.9			
Housing Material	Die-cast Aluminium			
Housing Color	Matt black / Grey			
Cooling	Natural convection cooling			
Control Protocol	ON/OFF	DMX512		
Segmented Control	Integral Control			
Channel	/			
Power / Installation	Independent			
Connection	2pin rubber cable:input/output	5pin rubber cable:input/output		
Power Linking	20pcs			
DMX Linking	128pcs			
Certification	CE, RoHS			
IP Grade	IP65			

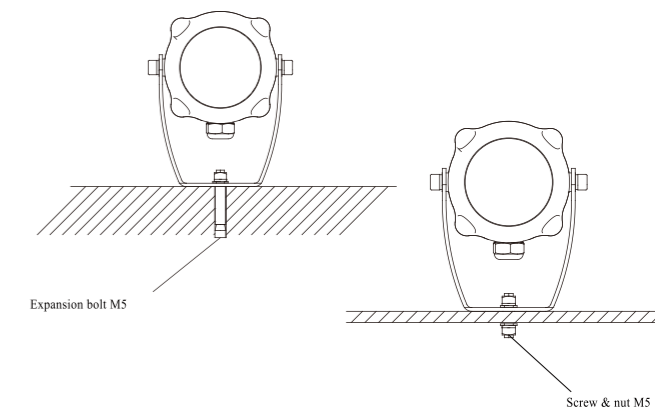
TG 009 Optical Parameters



TG 009 Specifications



TG 009 Installation Instruction

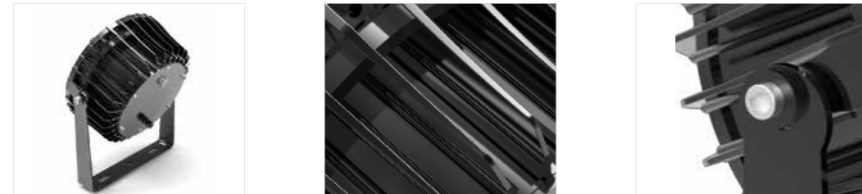




TG 043-12W

A professional LED round projector

- The fixture has configured superior optical system. It also have rich angles for different application
- Color change is natural, with better color mixing, meanwhile, it also have single white LED type optional
- DMX512 protocol which can maintain compatibility with all kinds of professional control system
- This fixture can be widely used in theme park, theme town and other places
- All configurations are available AC220V, DC24V, all have dedicated models



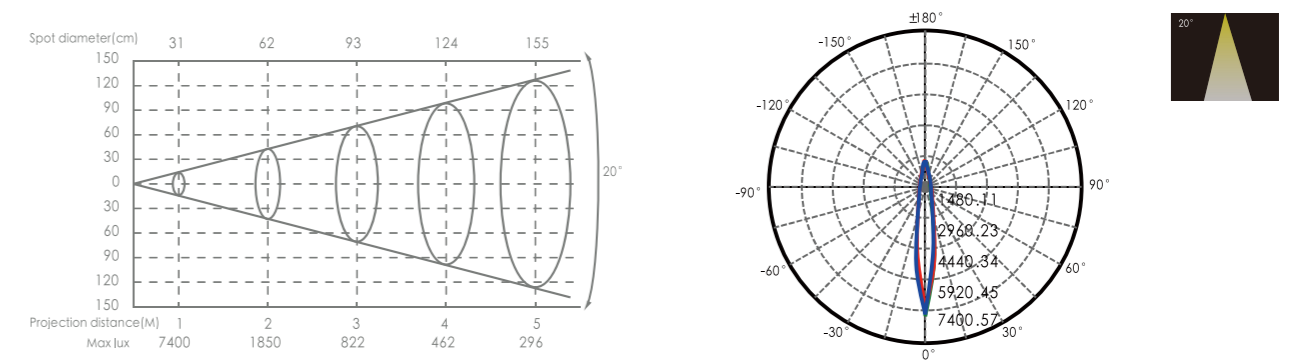
Housing color can be customized



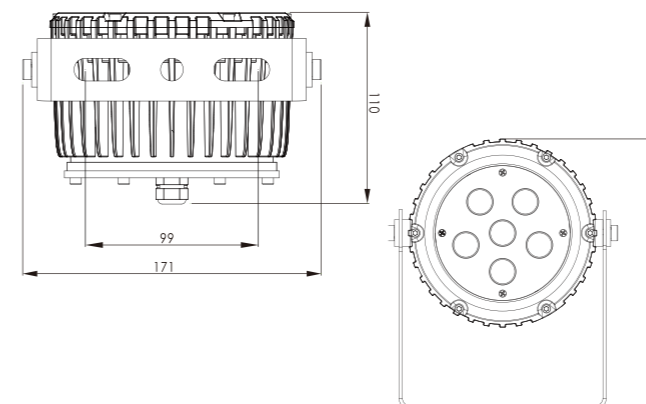
TG043-12W Parameter

Item Number	TG043P15-W(O)	TG043P16-W(D)	TG043P17-RGB(D)	TG043P18-RGBW(D)
LED	6pcs			
Beam Angle	10°/20°/30°/45°/60° Optional		20°/30°/45°/60° Optional	
Spot Angle	20°/40°/60°/80°/100° Optional		40°/60°/80°/100° Optional	
Lumen	640lm		328lm	356lm
CRI	Ra≥70			
Color	1800~6000K Optional		RGB	RGBW(W:3000/4000/6000K)
Dimensions	201x171x110mm			
N.W.	1.5 kg			
Input Voltage	DC24V			
Power	12W			
Power Factor	>0.9			
Housing Material	Die-cast Aluminium			
Housing Color	Matt black / Grey			
Cooling	Natural convection cooling			
Control Protocol	ON/OFF	DMX512		
Segmented Control	Integral Control			
Channel	/			
Power / Installation	Independent			
Connection	2pin rubber cable:input/output	5pin rubber cable:input/output		
Power Linking	12pcs			
DMX Linking	128pcs			
Certification	CE, RoHS			
IP Grade	IP65			

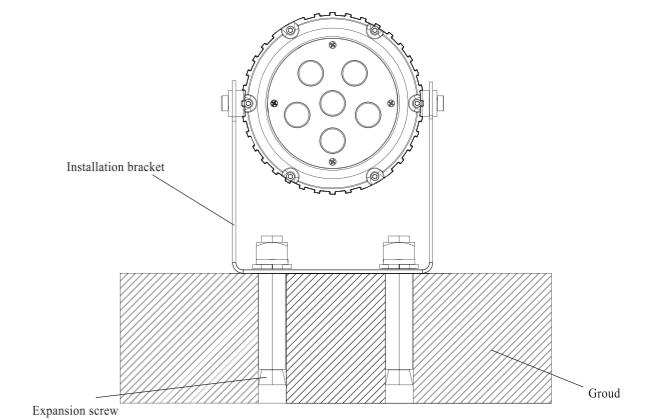
TG043-12W Optical Parameters



TG043-12W Specifications

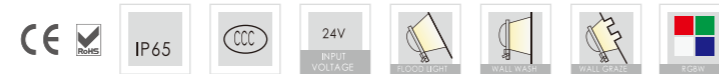


TG043-12W Installation Instruction





Scan the code to see details



TG 043-24W

A professional LED round projector

- The fixture has configured superior optical system. It also have rich angles for different application
- Color change is natural, with better color mixing, meanwhile, it also have single white LED type optional
- DMX512 protocol which can maintain compatibility with all kinds of professional control system
- This fixture can be widely used in theme park, theme town and other places
- All configurations are available AC220V, DC24V, all have dedicated models



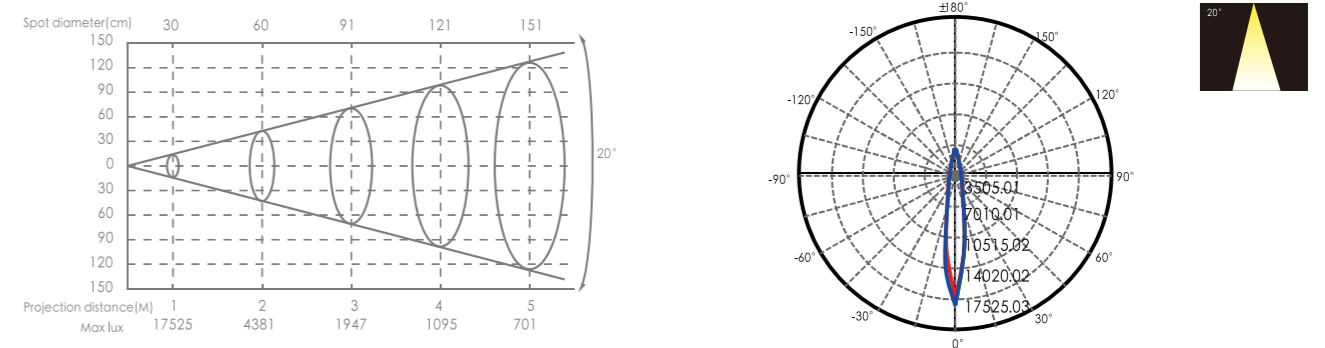
Housing color can be customized



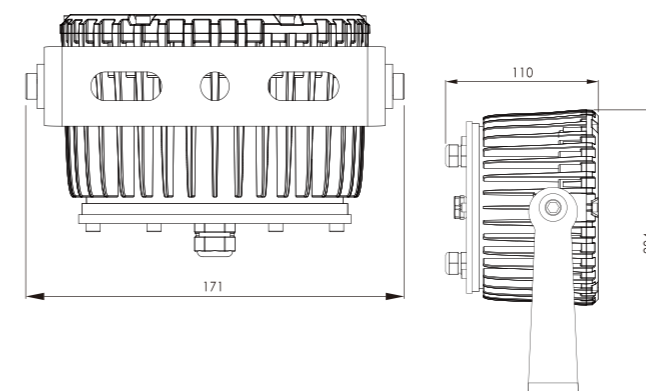
TG043-24W Parameter

Item Number	TG043P11-W(O)	TG043P12-W(D)	TG043P13-RGB(D)	TG043P20-RGBW(D)	TG043P21-RGBW(D)
LED	12pcs			9pcs	
Beam Angle	10°/20°/30°/45°/60° Optional			20°/30°/45°/60° Optional	
Spot Angle	20°/40°/60°/80°/100° Optional			40°/60°/80°/100° Optional	
Lumen	1500lm		680lm	742lm	
CRI	Ra≥70				
Color	1800~6000K Optional			RGB	RGBW(W:3000/4000/6000K)
Dimensions	201x171x110mm				
N.W.	1.5kg				
Input Voltage	DC24V				
Power	24W				
Power Factor	>0.9				
Housing Material	Die-cast Aluminium				
Housing Color	Matt black / Grey				
Cooling	Natural convection cooling				
Control Protocol	ON/OFF	DMX512			DMX512-RDM
Segmented Control	Integral Control				
Channel					4/6/7
Power / Installation	Independent				
Connection	2pin rubber cable:input/output		5pin rubber cable:input/output		
Power Linking	12pcs				
DMX Linking	128pcs				
Certification	CE、RoHS				
IP Grade	IP65				

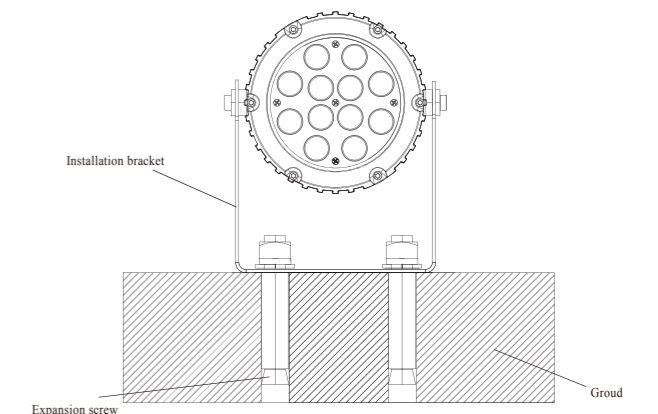
TG043-24W Optical Parameters



TG043-24W Specifications



TG043-24W Installation Instruction





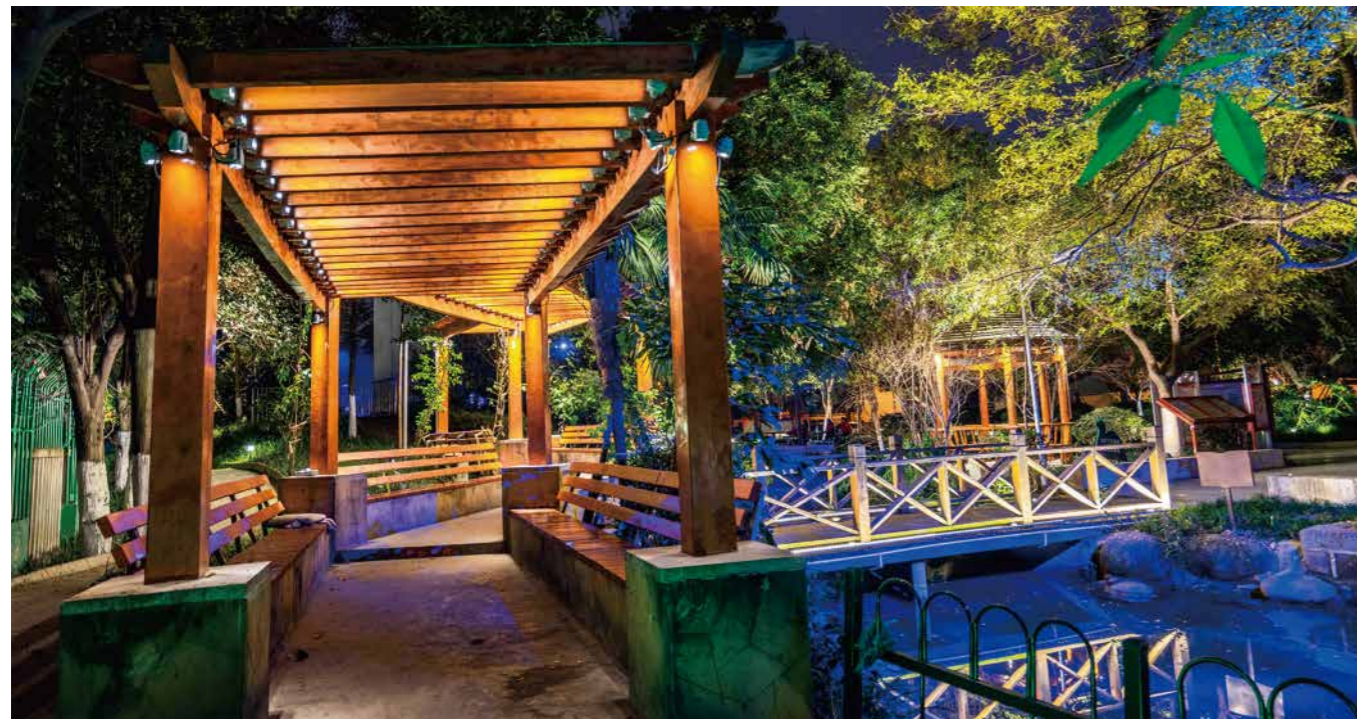
YX-003P

A professional RGBW 4 in 1 LED mini-projector

- The fixture has configured superior optical system (narrow optical angle: 4.5°)
- Color change is natural, with better color mixing
- DMX512 protocol and RDM function
- This fixture can be widely used in hotel, banquet, indoor and outdoor exhibition and other places



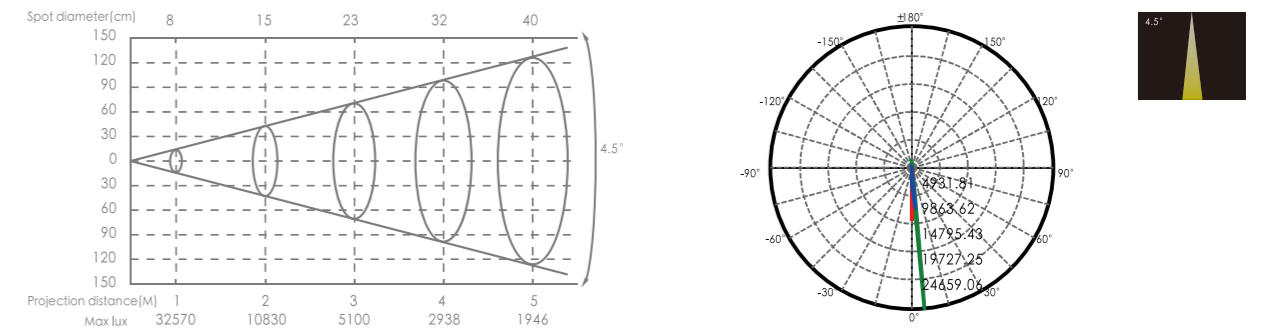
Housing color ■■■



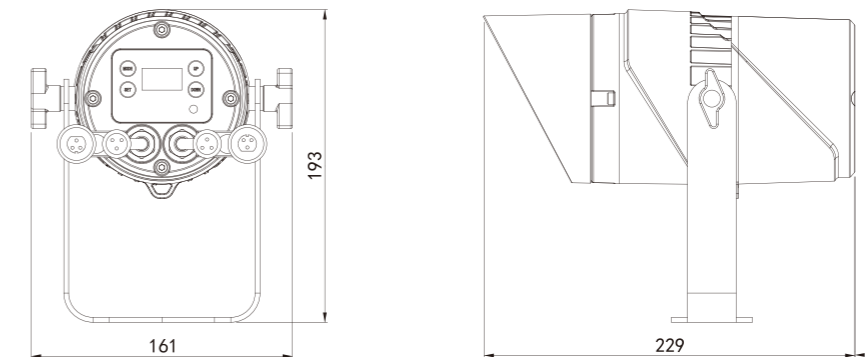
YX-003P Parameter

LED	1*15W 4-in-1 RGBW	Dimensions	229x161x193mm
Lumen	3261m	N.W.	1.96Kg
Beam Angle	4.5°, 20°, 40°	Housing material	Tensile aluminum alloy
Input voltage	AC100~240V,50-60Hz	Housing color	Black
Power	20W	Power cable	3 Pin In & Out
Drive current	900mA	DMX cable	3 Pin In & Out
Dimming	16Bit	Electrical safety class	I
Cooling	Convection	EMC	EMC、EMI
Control protocol	DMX512、RDM	Permitted Ambient Temperature	-20°C~45°C
DMX channel	4CH、6CH、10CH	IP Grade	IP65
Function	Auto running, Built-in program		

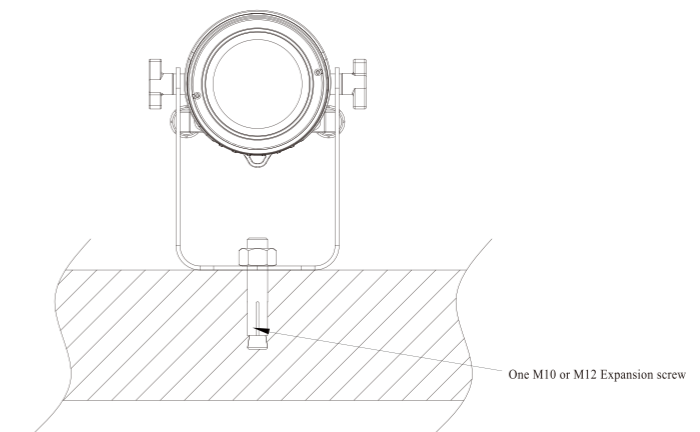
YX-003P Optical Parameters



YX-003P Specifications



YX-003P Installation Instruction

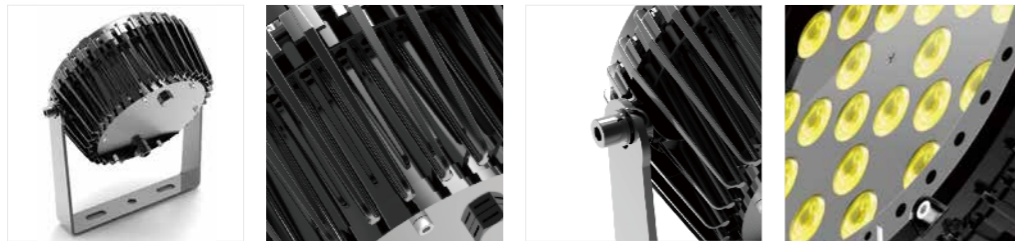




TG 046

A professional LED round flood light

- The fixture has configured superior optical system. It also have rich angles for different application
- Color change is natural, with better color mixing, meanwhile, it also have single white LED type optional
- DMX512 protocol and RDM function
- This fixture can be widely used in theme park, theme town and other places



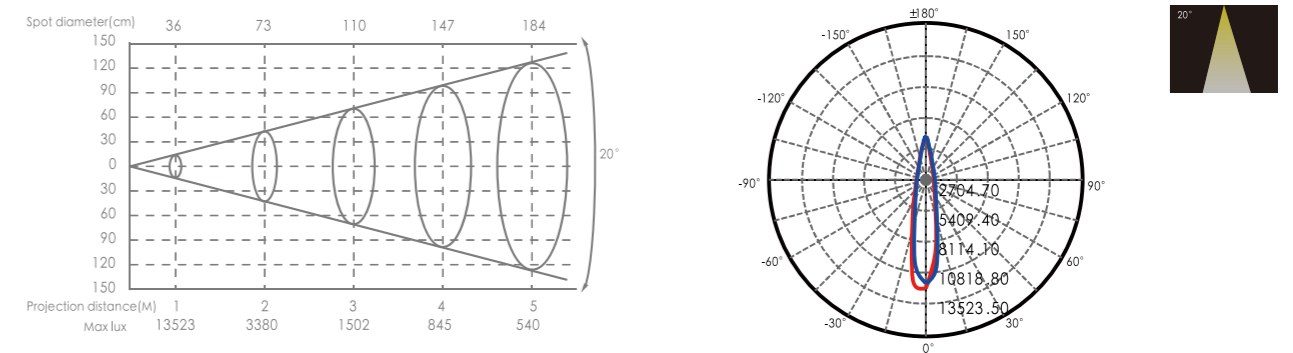
Housing color can be customized



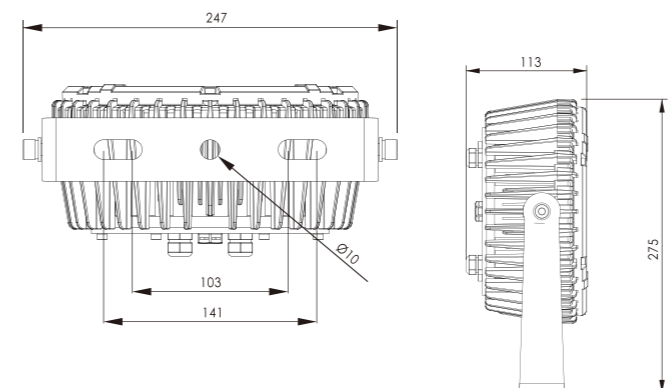
TG 046 Parameter

Item Number	TG046P01-W(O)	TG046P02-W(D)	TG046P03-RGB(D)	TG046P06-RGBW(D)	TG046P07-RGBW(D)
LED	24pcs			18pcs	
Beam Angle	10°/20°/30°/45°/60° Optional			20°/30°/45°/60° Optional	
Spot Angle	20°/40°/60°/80°/100° Optional			40°/60°/80°/100° Optional	
Lumen	3500lm		1786lm	1834lm	
CRI	Ra≥70				
Color	1800~6000K Optional		RGB	RGBW(W:3000/4000/6000K)	
Dimensions	275x247x113mm				
N.W.	3.5kg				
Input Voltage	AC220V				
Power	60W				
Power Factor	>0.9				
Housing Material	Die-cast Aluminium				
Housing Color	Matt black / Grey				
Cooling	Natural convection cooling				
Control Protocol	ON/OFF		DMX512		DMX512-RDM
Segmented Control	Integral Control				
Channel					4/6/7
Power / Installation	Build-in integration				
Connection	3pin rubber cable with bare wire	Power line:3pin rubber cable:input/output		Signal line:4pin rubber cable:input/output	
Power Linking	16pcs/110V 32pcs/220V				
DMX Linking	128pcs				
Certification	CE、RoHS				
IP Grade	IP65				

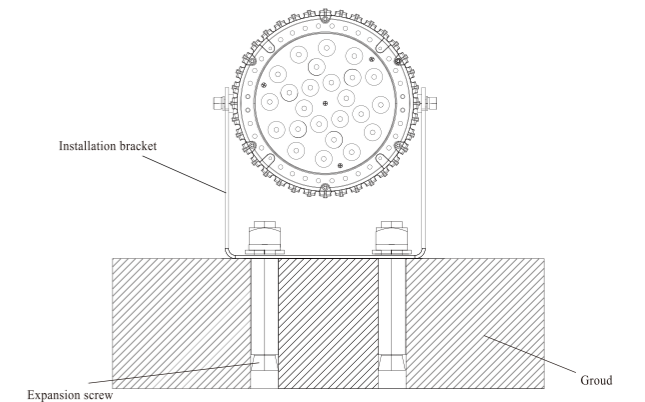
TG 046 Optical Parameters



TG 046 Specifications



TG 046 Installation Instruction





TG 054

A professional medium power LED round projector

- The fixture has configured superior optical system. It also have rich angles for different application
- Color change is natural, with better color mixing, meanwhile, it also have single white LED type
- DMX512 protocol and RDM function
- This fixture can be widely used in theme park, theme town and other places
- All configurations are available AC220V, DC24V, all have dedicated models



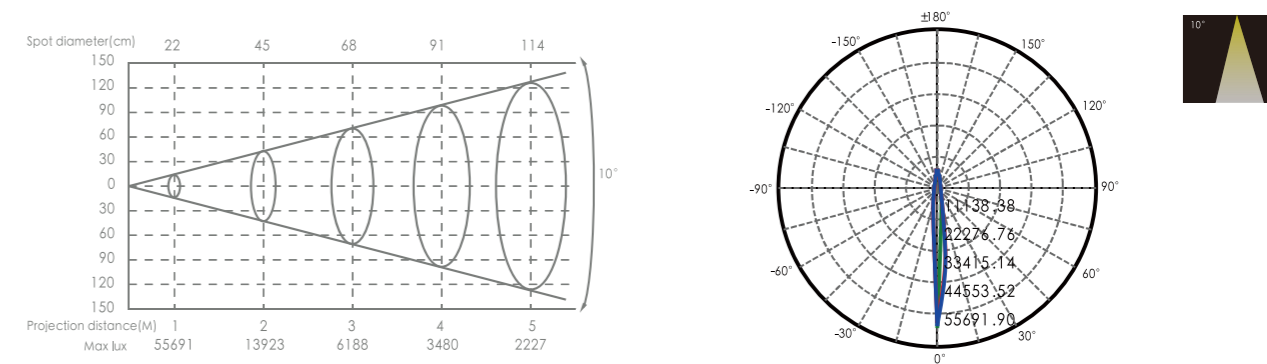
Housing color can be customized



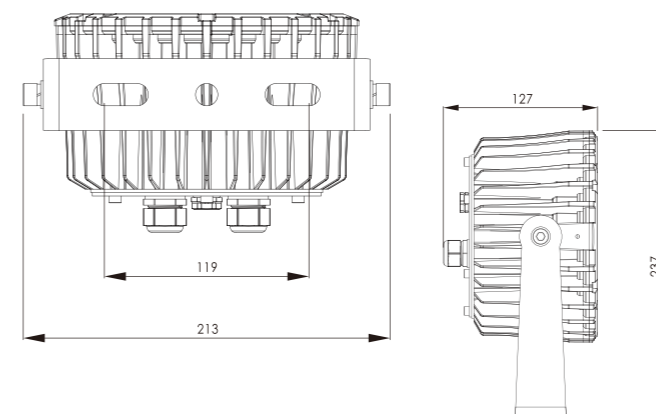
TG 054 Parameter

Item Number	TG054P01-W(O)	TG054P02-W(D)	TG054P03-RGB(D)	TG054P04-RGBW(D)	TG054P10-RGBW(D)
LED	18pcs			15pcs	
Beam Angle	10°/20°/30°/45°/60° Optional			20°/30°/45°/60° Optional	
Spot Angle	20°/40°/60°/80°/100° Optional			40°/60°/80°/100° Optional	
Lumen	3352lm		1080lm	1270lm	
CRI	Ra≥70				
Color	1800~6000K Optional		RGB	RGBW(W:3000/4000/6000K)	
Dimensions	237x213x125mm				
N.W.	2.5kg				
Input Voltage	DC24V				
Power	36W				
Power Factor	>0.9				
Housing Material	Die-cast Aluminium				
Housing Color	Matt black / Grey				
Cooling	Natural convection cooling				
Control Protocol	ON/OFF	DMX512			DMX512、RDM
Segmented Control	Integral Control				
Channel				4/6/7	
Power / Installation	Independent				
Connection	2pin rubber cable with bare wire		5pin rubber cable:input/output		
Power Linking				4pcs	
DMX Linking				128pcs	
Certification	CE、RoHS				
IP Grade	IP65				

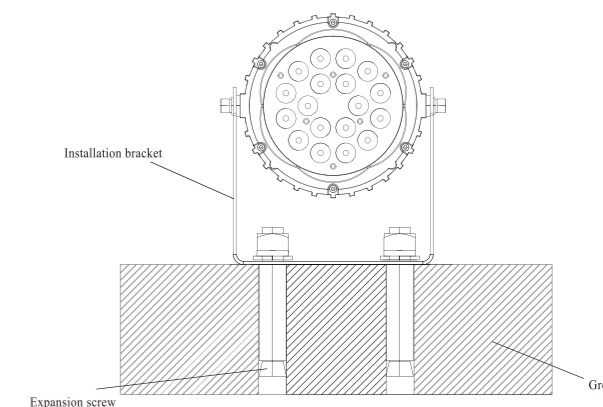
TG 054 Optical Parameters



TG 054 Specifications



TG 054 Installation Instruction

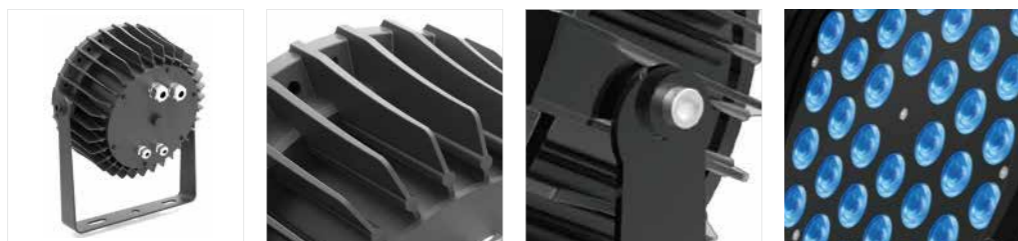




TG 037

A professional mini - round flood light

- The fixture has configured superior optical system. It also have rich angles for different application
- Color change is natural, with better color mixing, meanwhile, it also have single white LED type optional
- DMX512 protocol which can maintain compatibility with all kinds of professional control system
- This fixture can be widely used in theme park, theme town and other places



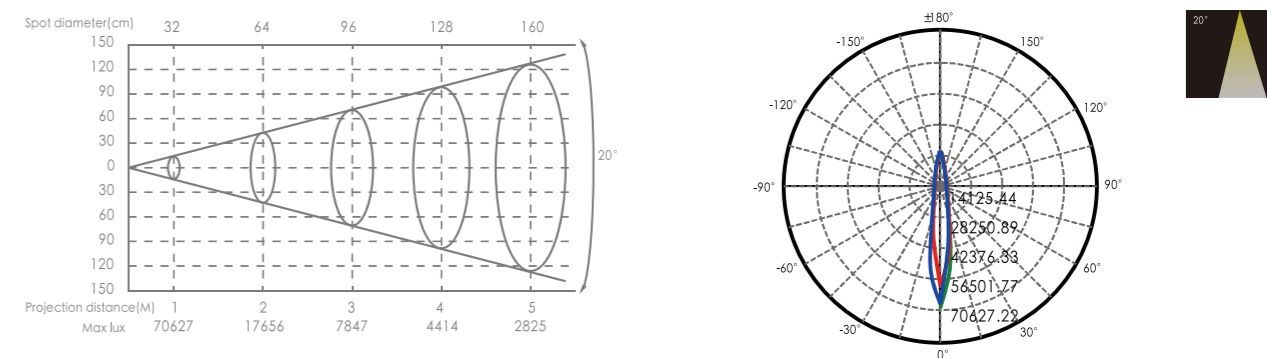
Housing color can be customized



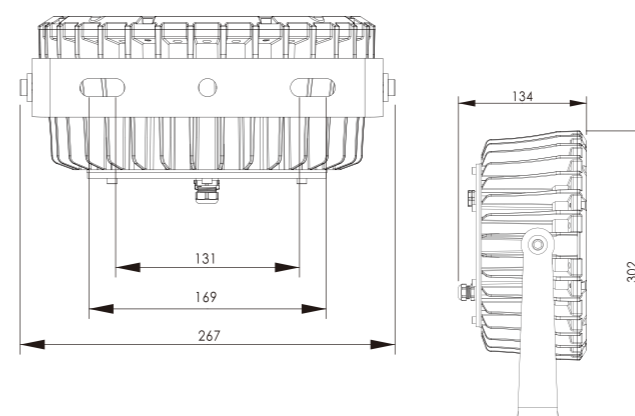
TG 037 Parameter

Item Number	TG037P02-W(O)	TG037P03-W(D)	TG037P04-RGB(D)	TG037P05-RGBW(D)	TG037P06-RGBW(D)
LED	36pcs			24pcs	
Beam Angle	10°/20°/30°/45°/60° Optional			20°/30°/45°/60° Optional	
Spot Angle	20°/40°/60°/80°/100° Optional			40°/60°/80°/100° Optional	
Lumen	6604lm		1596lm	2010lm	
CRI	Ra≥70				
Color	1800~6000K Optional		RGB	RGBW(W:3000/4000/6000K)	
Dimensions	302x267x135mm				
N.W.	4.6kg				
Input Voltage	AC220V				
Power	72W				
Power Factor	>0.9				
Housing Material	Die-cast Aluminium				
Housing Color	Matt black / Grey				
Cooling	Natural convection cooling				
Control Protocol	ON/OFF	DMX512			DMX512-RDM
Segmented Control	Integral Control				
Channel				4/6/7	
Power / Installation	Build-in integration				
Connection	3pin rubber cable with bare wire	Power line:3pin rubber cable:input/output			Signal line:4pin rubber cable:input/output
Power Linking	14pcs/110V 28pcs/220V				
DMX Linking	128pcs				
Certification	CE, RoHS				
IP Grade	IP65				

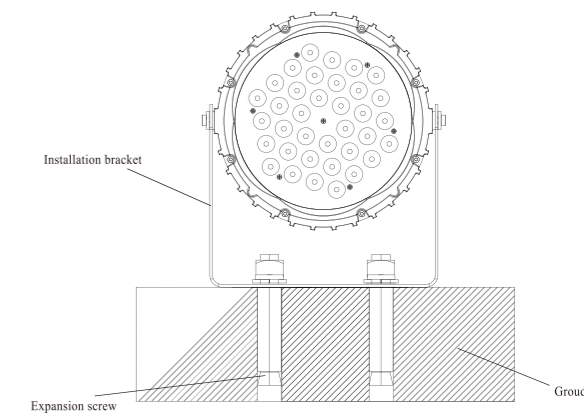
TG 037 Optical Parameters



TG 037 Specifications



TG 037 Installation Instruction



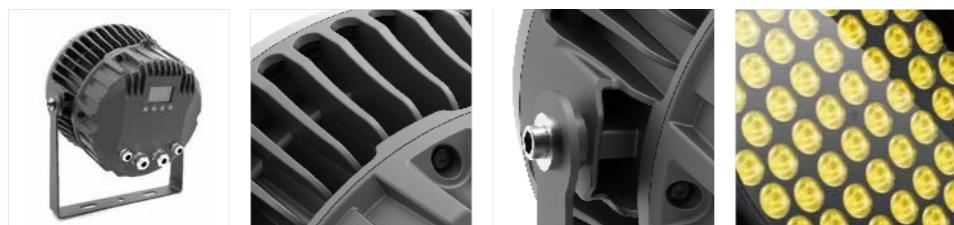


TG 110

A professional LED round flood light

- The fixture has configured superior optical system. It also have rich angles for different application
- Color change is natural, with better color mixing, meanwhile, it also have single white LED type optional
- DMX512 protocol and RDM function

This fixture can be widely used in theme park, theme town and other places



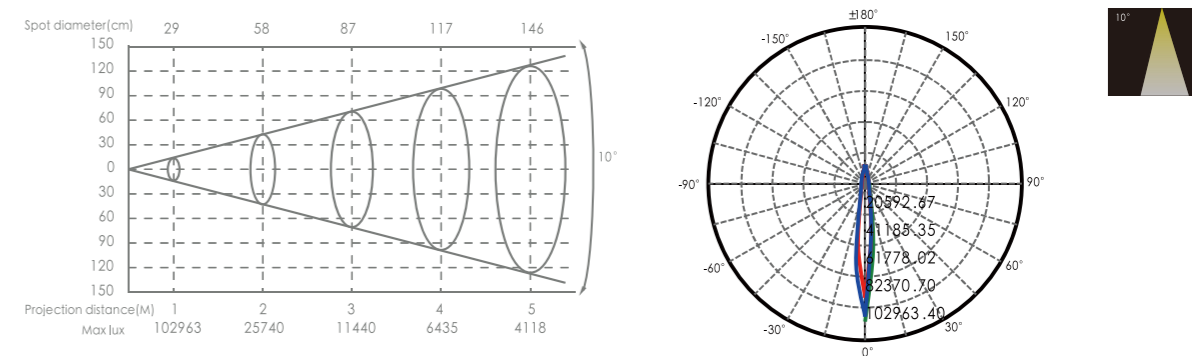
Housing color can be customized



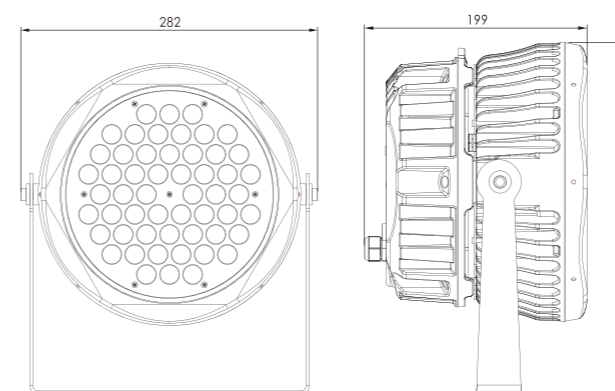
TG 110 Parameter

Item Number	TG110P02-W(O)	TG110P03-W(D)	TG110P04-RGB(D)	TG110P05-RGBW(D)	TG110P06-RGBW(D)
LED	54pcs			36pcs	
Beam Angle	10°/20°/30°/45°/60° Optional			20°/30°/45°/60° Optional	
Spot Angle	20°/40°/60°/80°/100° Optional			40°/60°/80°/100° Optional	
Lumen	7405		3222	1586	
CRI	Ra≥70				
Color	1800~6000K Optional			RGB	RGBW(W:3000/4000/6000K)
Dimensions	315x282x20mm				
N.W.	6.4kg				
Input Voltage	AC220V				
Power	120W				
Power Factor	>0.9				
Housing Material	Die-cast Aluminium				
Housing Color	Matt black / Grey				
Cooling	Fan cooling				
Control Protocol	ON/OFF	DMX512			DMX512-RDM
Segmented Control	Integral Control				
Channel					4/6/7
Power / Installation	Build-in integration				
Connection	Power line:3pin rubber cable:input/output Signal line:4pin rubber cable:input/output				
Power Linking	9pcs/110V 18pcs/220V				
DMX Linking	128pcs				
Certification	CE, RoHS				
IP Grade	IP65				

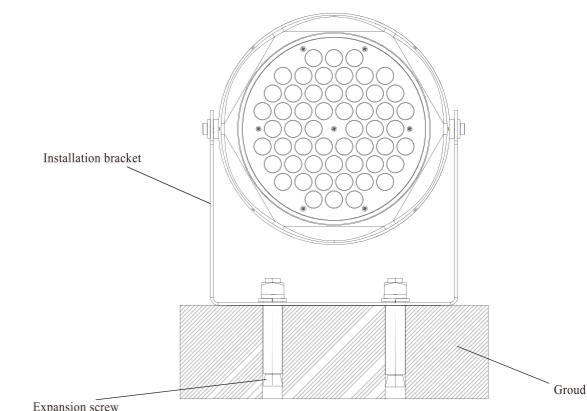
TG 110 Optical Parameters



TG 110 Specifications



TG 110 Installation Instruction





MYLED-131

High-power LED Flood light

- It is fitted with superior secondary optical system. Color change is natural, with better color mixing
- Low-power LED of segment control in outer ring has a abundant changing effect
- Support DMX512 protocol
- Professional for the cultural tourism market, theme park, theme town, live show, bridge piers etc



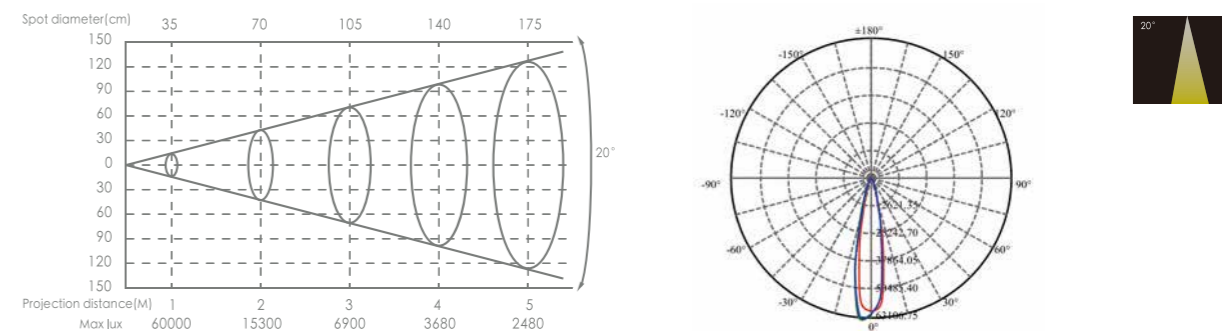
Housing color can be customized



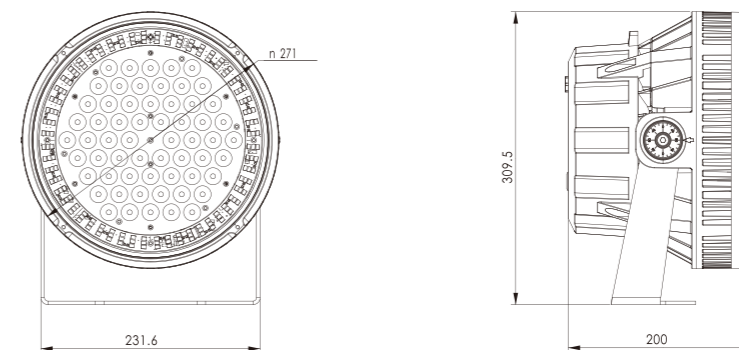
MYLED-131 Parameter

LED	60x12W 4-in-1 RGBW	Dimensions	310x271x200mm
Lumen	12060lm	N.W.	7.98Kg
Beam angle	20°, 45°, 60°	Housing material	Die-cast Aluminium
Input voltage	AC100~240V,50-60Hz	Housing color	Matt black / Grey
Power	360W	Power cable	black rubber cable 3 Pin In & Out
Drive current	500mA	DMX cable	black rubber cable 2 Pin In & Out
Dimming	16Bit	Electrical safety class	I
Cooling	Fan + Fins	EMC	EMC、EMI
Control protocol	DMX512	Permitted Ambient Temperature	-20°C~45°C
DMX channel	7CH、11CH、18CH、28CH、32CH、39CH	IP Grade	IP65
Function	Auto Run, User-Defined		

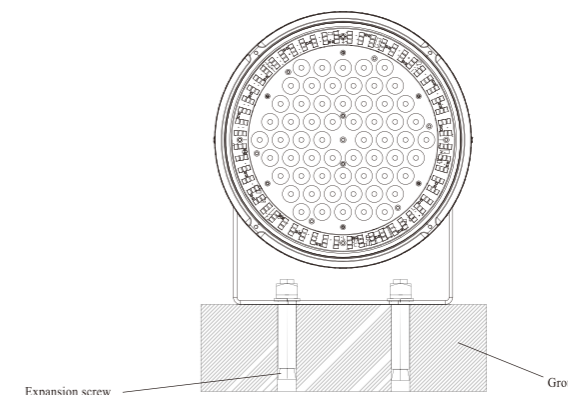
MYLED-131 Optical Parameters



MYLED-131 Specifications



MYLED-131 Installation Instruction





TG 041

A professional LED square flood light

- The fixture has configured superior optical system. It also have rich angles for different application
- Color change is natural, with better color mixing, meanwhile, it also have single white LED type optional
- DMX512 protocol and RDM function
- This fixture can be widely used in theme park, theme town and other places



Housing color can be customized

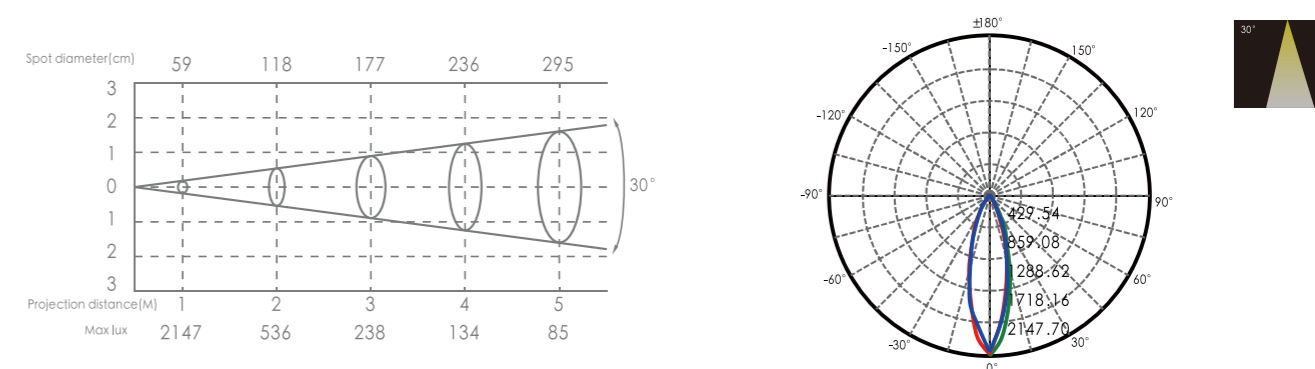


TG 041

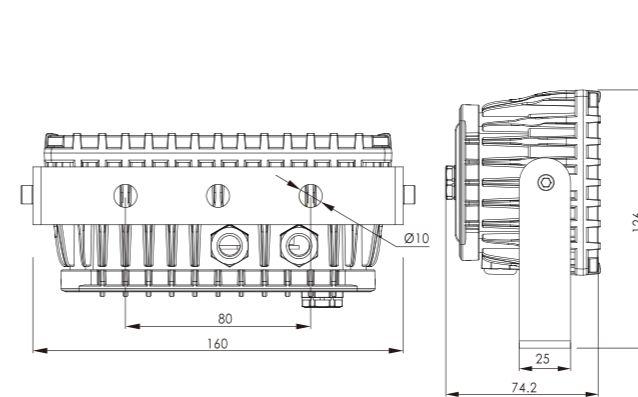
Parameter

Item Number	TG041P01-W(O)	TG041P02-W(D)	TG041P04-RGBW(D)	MYLED-041B-6P4C
LED	7pcs		6pcs	
Beam Angle	10°/20°/30°/45°/60° Optional		20°/30°/45°/60° Optional	
Spot Angle	20°/40°/60°/80°/100° Optional		40°/60°/80°/100° Optional	
Lumen	1270lm		740lm	
CRI	Ra≥70			
Color	1800K~6000k Optional		RGBW(W:3000/4000/6000K)	
Dimensions	160x126x75mm			
N.W.	1.5kg			
Input Voltage	DC24V			
Power	18W			
Power Factor	>0.9			
Housing Material	Die-cast Aluminium			
Housing Color	Matt black / Grey			
Cooling	Convection			
Control Protocol	ON/OFF		DMX512	DMX512、RDM
Segmented Control	Integral Control			
Channel	/			
Power / Installation	Independent			
Connection	2pin rubber cable:input/output		5pin rubber cable:input/output	
Power Linking	8pcs			
DMX Linking	128pcs			
Certification	CE、RoHS			
IP Grade	IP65			

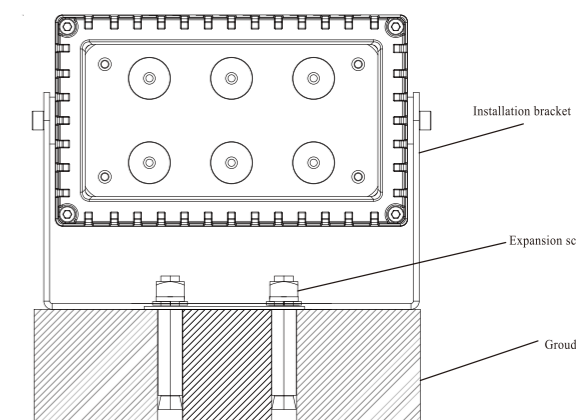
TG 041 Optical Parameters



TG 041 Specifications



TG 041 Installation Instruction





MYLED-126

A professional light weight square flood light for outdoor use

- 16bit dimming way
- Color change is natural, with better color mixing
- DMX512 protocol and RDM function
- This fixture can be widely used in theme park, theme town, community park and other places



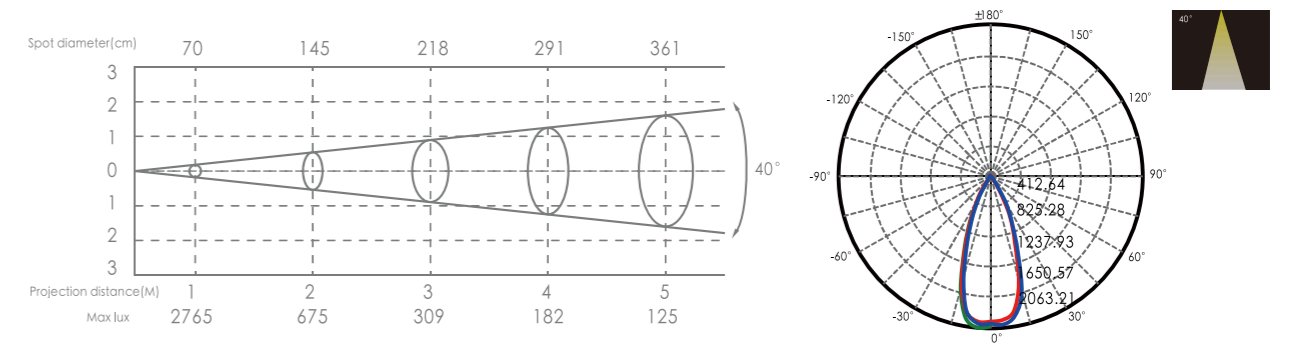
Housing color ■



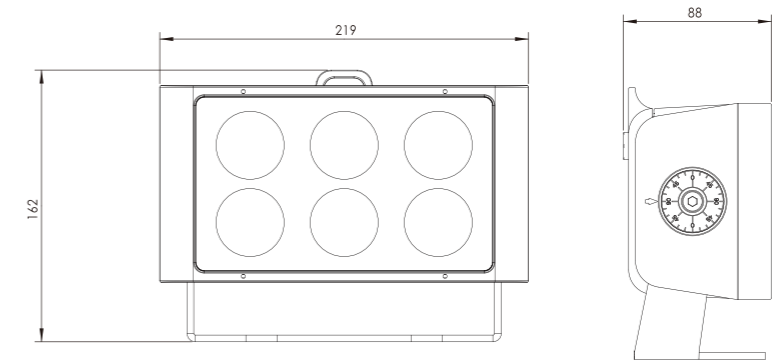
MYLED-126 Parameter

LED	6x5W 4-in-1 RGBW	Dimensions	219x88x162mm
Lumen	10611lm	N.W.	2.5Kg
Beam angle	20°, 40°	Housing material	Die -cast Magnesium alloy
Input voltage	AC100~240V, 50-60Hz	Housing color	Black
Power	37W	Power cable	3 Pin In & Out
Drive current	350mA	DMX cable	3 Pin In & Out
Dimming	16Bit	Electrical safety class	I
Cooling	Convection	EMC	EMC, EMI
Control protocol	DMX512, RDM	Permitted Ambient Temperature	-20°C~43°C
DMX channel	4CH, 6CH, 9CH	IP Grade	IP65
Function	Auto Run, User-Defined		

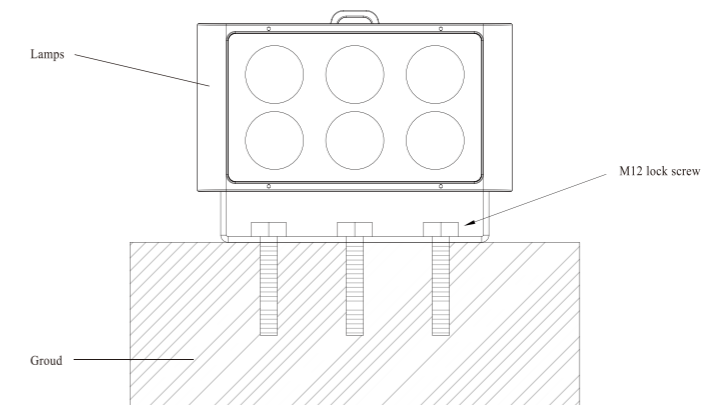
MYLED-126 Optical Parameters



MYLED-126 Specifications



MYLED-126 Installation Instruction





MYLED-127

A professional light weight square flood light for outdoor use

- 16bit dimming way
- Color change is natural, with better color mixing
- DMX512 protocol and RDM function
- This fixture can be widely used in theme park, theme town, community park and other places



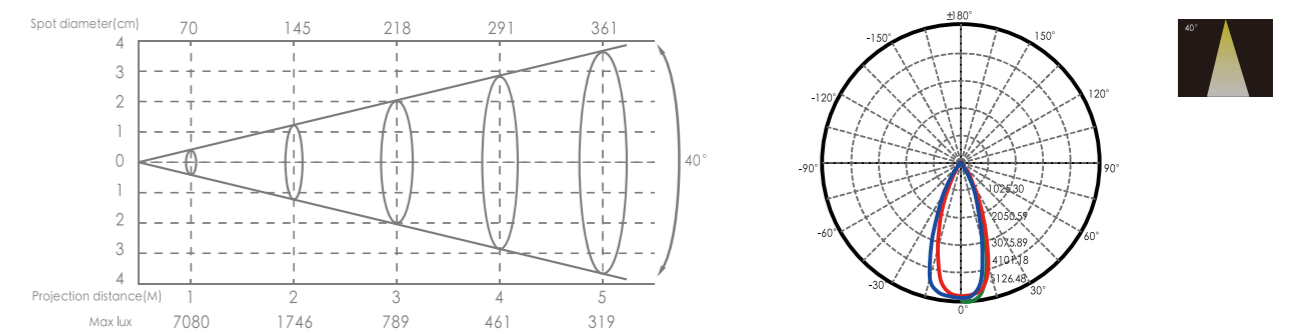
Housing color ■■■



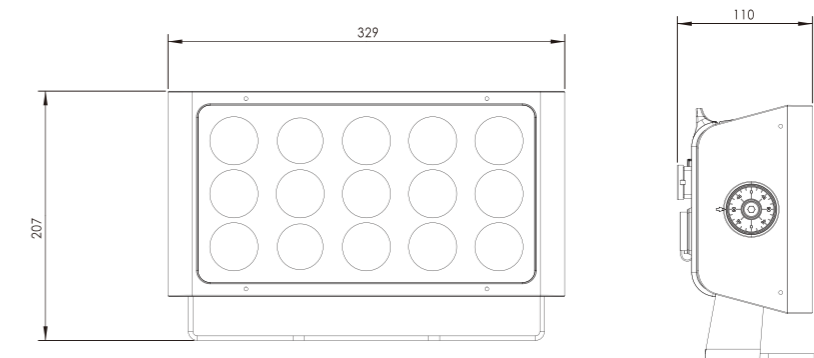
MYLED-127 Parameter

LED	15x5W 4-in-1 RGBW	Dimensions	329x207x110mm
Lumen	2619lm	N.W.	5.2Kg
Beam angle	20°, 40°	Housing material	Die -cast Magnesium alloy
Input voltage	AC100~240V,50-60Hz	Housing color	Black
Power	85W	Power cable	3 Pin In & Out
Drive current	350mA	DMX cable	3 Pin In & Out
Dimming	16Bit	Electrical safety class	I
Cooling	Convection	EMC	EMC、EMI
Control protocol	DMX512、RDM	Permitted Ambient Temperature	-20°C~45°C
DMX channel	4CH、6CH、9CH	IP Grade	IP65
Function	Auto Run, User-Defined		

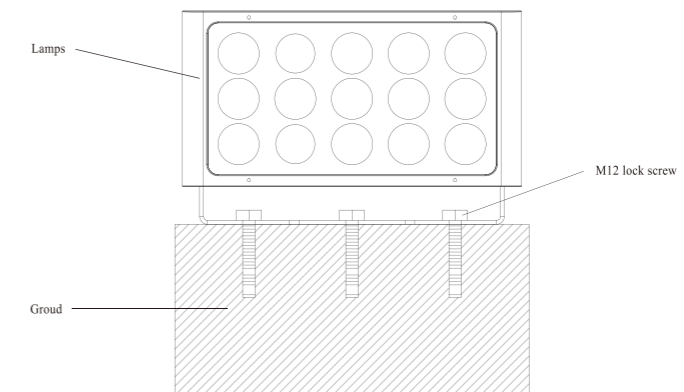
MYLED-127 Optical Parameters



MYLED-127 Specifications



MYLED-127 Installation Instruction





FX-005P

A professional light weight square flood light for outdoor use

- 16bit dimming way
- Color change is natural, with better color mixing
- DMX512 protocol and RDM function
- This fixture can be widely used in theme park, theme town, community park and other places



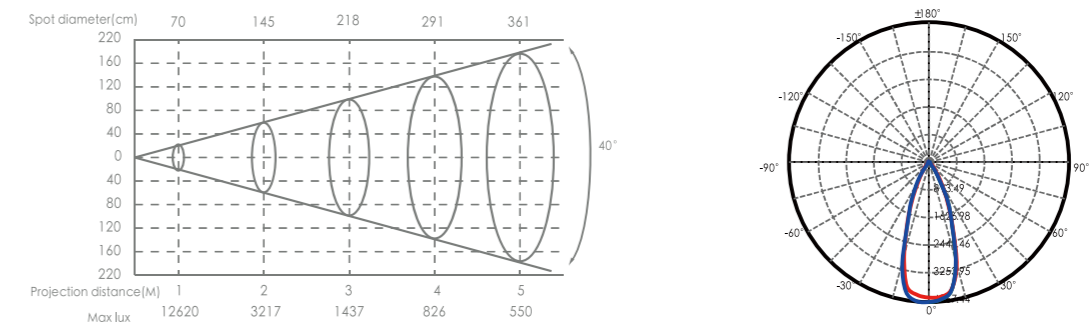
Housing color



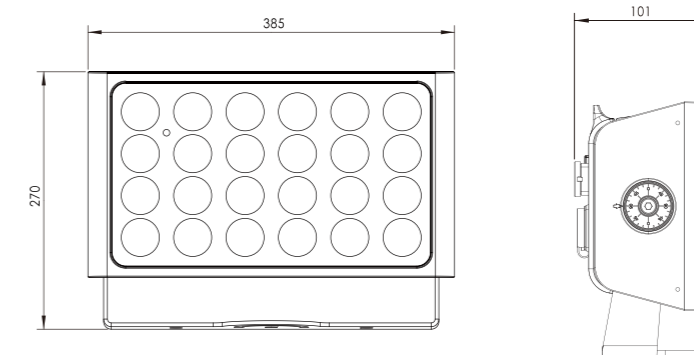
FX-005P Parameter

LED	24x10W 4-in-1 RGBW	Dimensions	385x101x270mm
Lumen	5196lm	N.W.	7Kg
Beam angle	20°, 40°	Housing material	Die -cast Magnesium alloy
Input voltage	AC100~240V, 50-60Hz	Housing color	Black
Power	160W	Power cable	3 Pin In & Out
Drive current	650mA	DMX cable	3 Pin In & Out
Dimming	16Bit	Electrical safety class	I
Cooling	Convection	EMC	EMC、EMI
Control protocol	DMX512、RDM	Permitted Ambient Temperature	-20°C~45°C
DMX channel	4CH、6CH、10CH	IP Grade	IP65
Function	Auto Run, User-Defined		

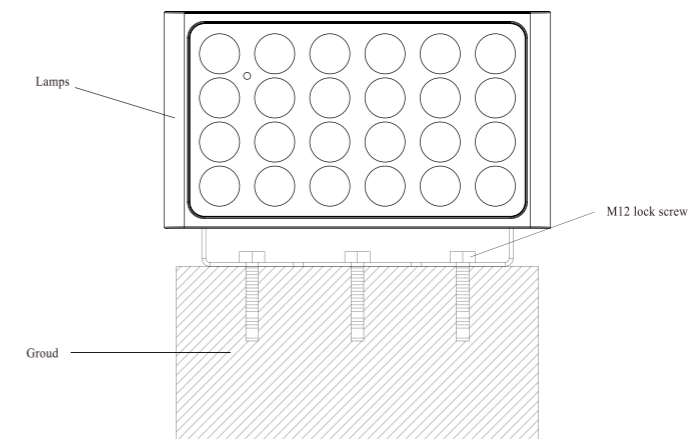
FX-005P Optical Parameters



FX-005P Specifications



FX-005P Installation Instruction





TG 150

A professional high power LED square flood light

- The fixture has configured superior optical system. It also have rich angles for different application
- Color change is natural, with better color mixing, meanwhile, it also have single white LED type optional
- DMX512 protocol and RDM function
- This fixture can be widely used in theme park, theme town and other places



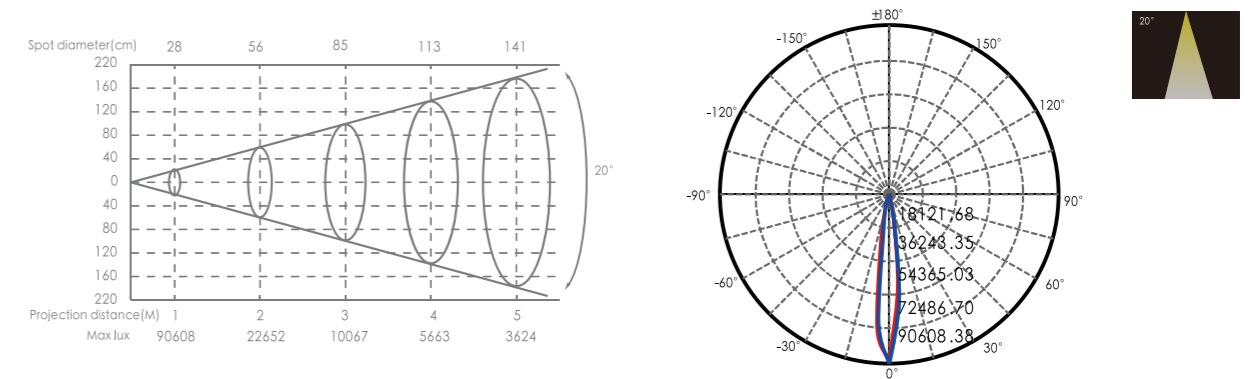
Housing color can be customized



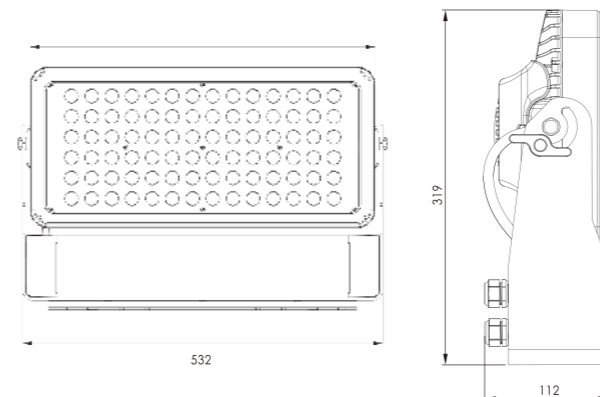
TG 150 Parameter

Item Number	TG150P02-W(O)	TG150P03-W(D)	TG150P04-RGB(D)	TG150P05-RGBW(D)	TG150P11-RGBW(D)
LED	96pcs			40pcs	
Beam Angle	10°/20°/40°/45°/60° Optional			10°/20°/40° Optional	
Spot Angle	20°/40°/60°/80°/100° Optional			25°/40°/70° Optional	
Lumen	58380lm		5614lm	8540lm	
CRI	Ra≥70				
Color	1800K~6000K Optional		RGB	RGBW(W:3000K/4000K/6000K)	
Dimensions	544x320x112mm				
N.W.	11.5kg				
Input Voltage	AC220V				
Power	200W		150W	200W	
Power Factor	>0.9				
Housing Material	Die-cast Aluminium				
Housing Color	Matt black / Grey				
Cooling	Fan cooling				
Control Protocol	ON/OFF		DMX512		DMX512、RDM
Segmented Control	Integral Control				
Channel	4/6/7				
Power / Installation	Build-in integration				
Connection	3pin rubber cable:input/output		Power line:3pin rubber cable:input/output Signal line:4pin rubber cable:input/output		
Power Linking	5pcs/110V 10pcs/220V				
DMX Linking	128pcs				
Certification	CE、RoHS				
IP Grade	IP65				

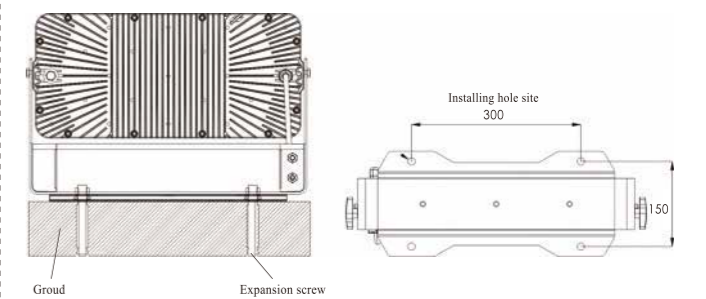
TG 150 Optical Parameters



TG 150 Specifications



TG 150 Installation Instruction





MYLED-150

A professional light weight square flood light for outdoor use

- 16bit dimming way
- Color change is natural, with better color mixing
- DMX512 protocol and RDM function
- This fixture can be widely used in theme park, theme town, community park and other places



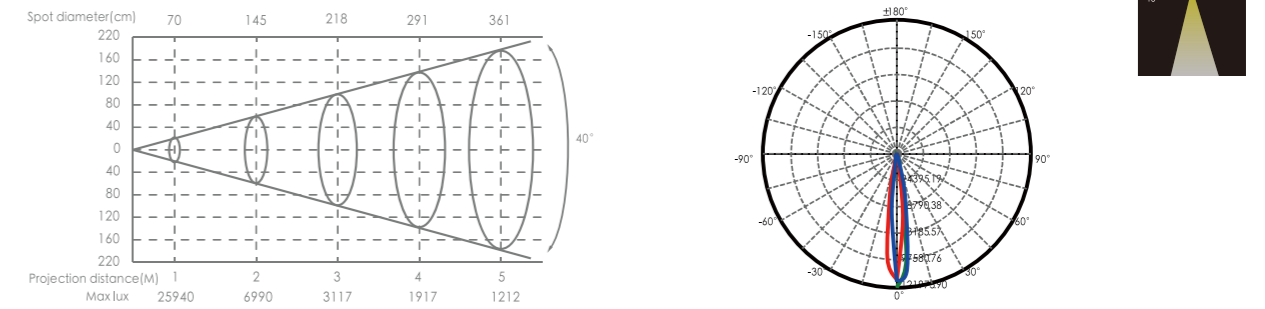
Housing color ■



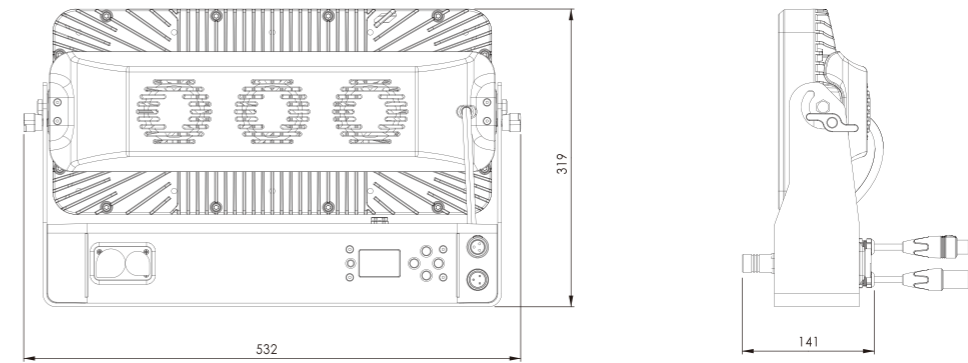
MYLED-150 Parameter

LED	40x10 4-in-1 RGBW	Dimensions	532x319x141 mm
Lumen	9380lm	N.W.	12.3Kg
Beam angle	8°、20°、40°	Housing material	Die -cast Magnesium alloy
Input voltage	AC 100~240V,50-60Hz	Housing color	Black
Power	400W	Power cable	input/output Neutrik integrated waterproof power
Drive current	750mA	DMX cable	Seetronic power in/out
Dimming	16Bi	Electrical safety class	I
Cooling	Fan cooling	EMC	EMC、EMI
Control protocol	DMX512 (Support for wireless DMX)	Permitted Ambient Temperature	-20°C~45°C
DMX channel	4CH、6CH、8CH	IP Grade	IP65
Function	Auto Run, User-Defined		

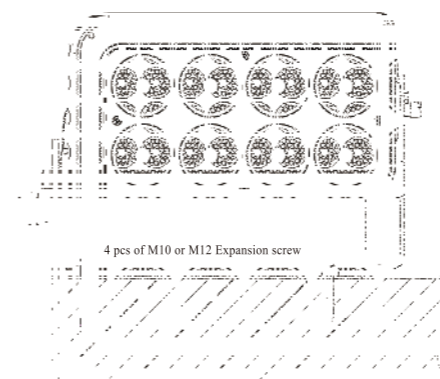
MYLED-150 Optical Parameters



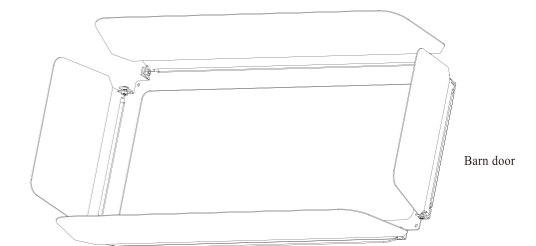
MYLED-150 Specifications



MYLED-150 Installation Instruction



MYLED-150 Optional accessories





FX-400P

A professional light weight high power flood light for outdoor use

- 16bit dimming way
- Color change is natural, with better color mixing
- DMX512 protocol and RDM function
- This fixture can be widely used in theme park, theme town, community park and other places



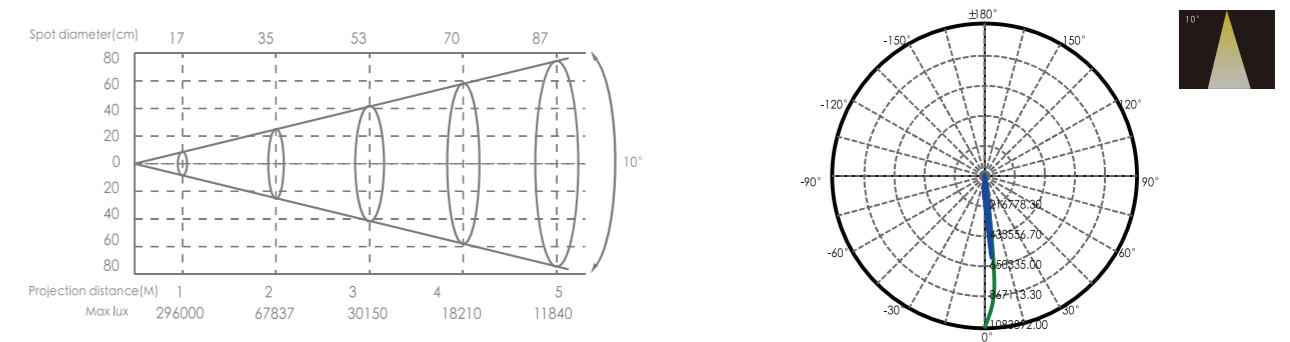
Housing color



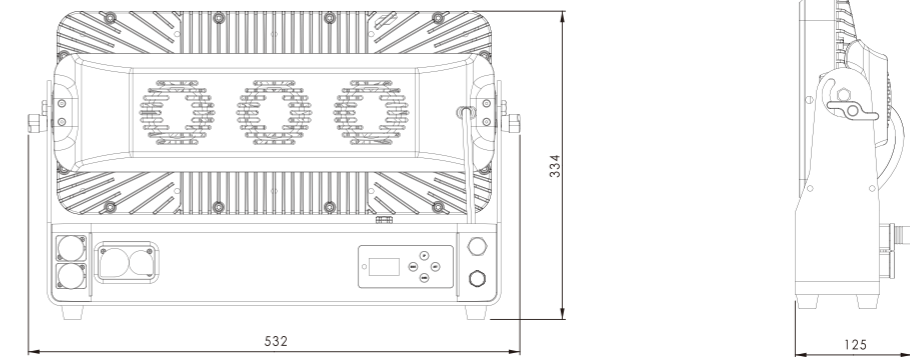
FX-400P Parameter

LED	40x10W 4-in-1 RGBW	Dimensions	532x319x141 mm
Lumen	9380lm	N.W.	12.3Kg
Beam angle	10°、20°、40°	Housing material	Die -cast Magnesium alloy
Input voltage	AC100~240V,50-60Hz	Housing color	Black
Power	400 W	Power cable	input/output Neutrik integrated waterproof power
Drive current	750mA	DMX cable	Seetronic 5pins waterproof DMX input/output
Dimming	16Bit	Electrical safety class	I
Cooling	Fan cooling	EMC	EMC、EMI
Control protocol	DMX512 (Support for wireless DMX)、RDM	Permitted Ambient Temperature	-20°C~45°C
DMX channel	4CH、6CH、9CH、20CH、25CH	IP Grade	IP65
Function	Auto Run, User-Defined		

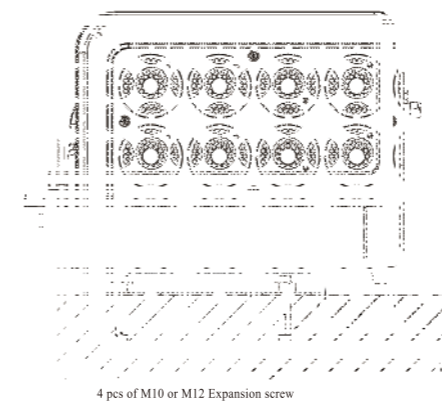
FX-400P Optical Parameters



FX-400P Specifications

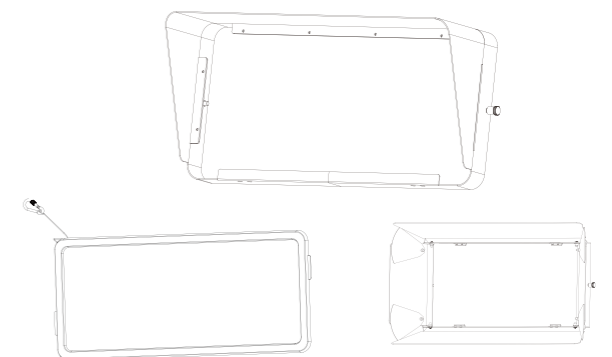


FX-400P Installation Instruction



4 pcs of M10 or M12 Expansion screw

FX-400P Optional accessories



The angle of diffuser: 15°20°30°40° 15x60°Optional



MYLED-150T

A professional light weight high power flood light for outdoor use

- 16bit dimming way
- Color change is natural, with better color mixing
- DMX512 protocol and RDM function
- This fixture can be widely used in theme park, theme town, community park and other places



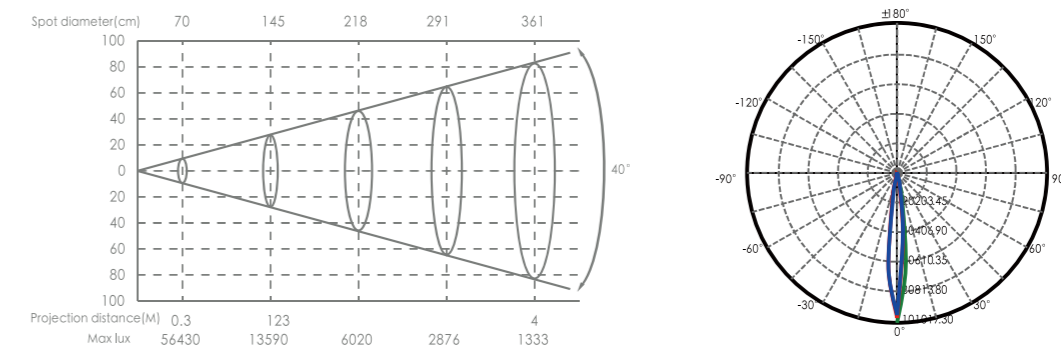
Housing color



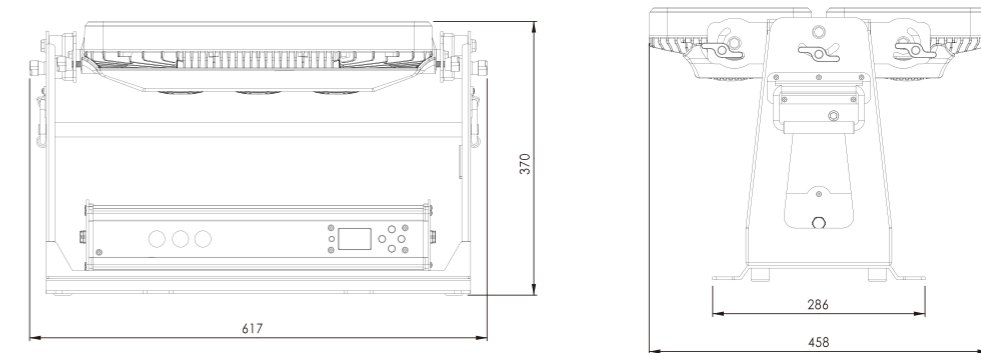
MYLED-150T Parameter

LED	80x10W 4-in-1 RGBW	Dimensions	617x458 x370 mm
Lumen	19389lm	N.W.	23Kg
Beam angle	20°, 40°	Housing material	Die -cast Magnesium alloy
Input voltage	AC100~240V, 50-60Hz	Housing color	Black
Power	800W	Power cable	3 Pin In & Out
Drive current	750 mA	DMX cable	3 Pin In & Out
Dimming	16Bit	Electrical safety class	I
Cooling	Fan cooling	EMC	EMC、EMI
Control protocol	DMX512	Permitted Ambient Temperature	-20°C~45°C
DMX channel	8CH, 10CH, 12CH	IP Grade	IP65
Function	Auto Run, User-Defined		

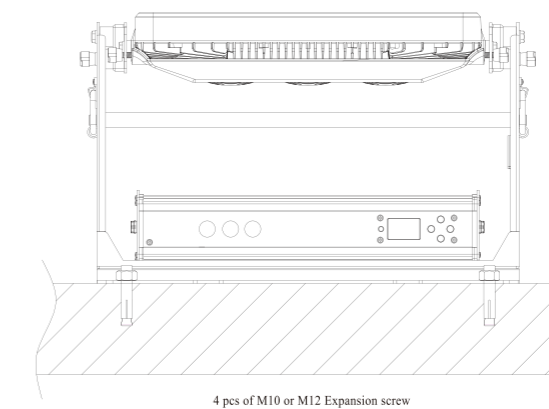
MYLED-150T Optical Parameters



MYLED-150T Specifications



MYLED-150T Installation Instruction



4 pcs of M10 or M12 Expansion screw



FX-1500P

A professional light weight high power flood light for outdoor use

- 16bit dimming way
- Color change is natural, with better color mixing
- DMX512 protocol and RDM function
- According to the melody of music, we can choose different color segmentation change effects to perform segmented control
- The Natural convection cooling of waterproof fan and housing transfers the LED heat value to the housing surface with maximum efficiency. It also can be widely used in outdoor where it can standing the wind and rain because of IP65 rate
- This fixture can be widely used in live show, bridge, high building, high tower, and long distance mountain lighting



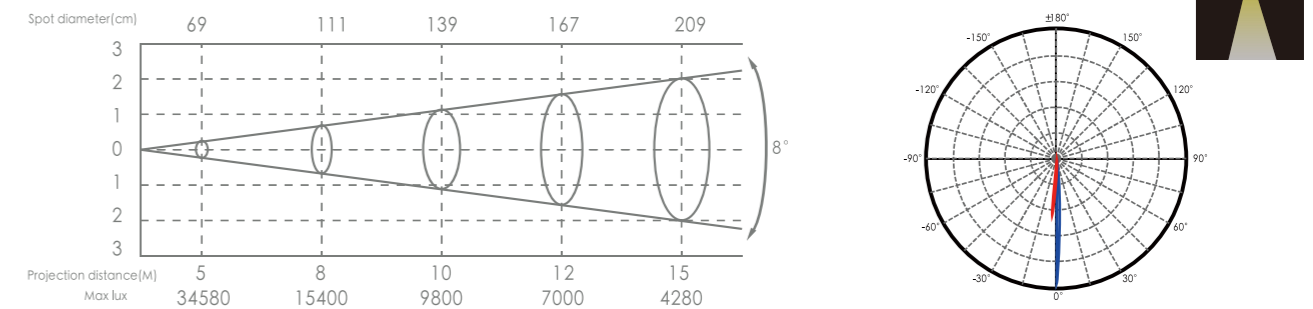
Housing color ■■■



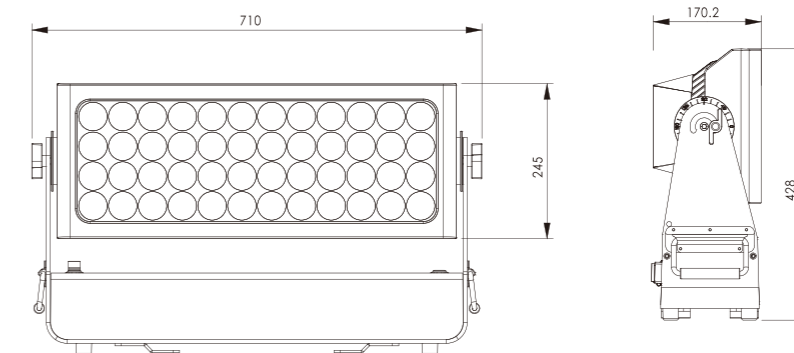
FX-1500P Parameter

LED	48X40W 4-in-1 RGBW	Dimensions	710x170x428mm
Lumen	35000lm	N.W.	30Kg
Beam angle	4.5°, 8°, 20°	Housing material	Die -cast Magnesium alloy
Input voltage	AC100~240V, 50-60Hz	Housing color	Black
Power	1500W	Power cable	3 Pin In
Drive current	2.5A	DMX cable	3 Pin In & Out
Dimming	16Bit	Electrical safety class	I
Cooling	Fan cooling	EMC	EMC, EMI
Control protocol	DMX512RDM	Permitted Ambient Temperature	-20°C~43°C
DMX channel	4CH, 6CH, 9CH, 24CH, 29CH	IP Grade	IP65
Function	Auto Run, User-Defined		

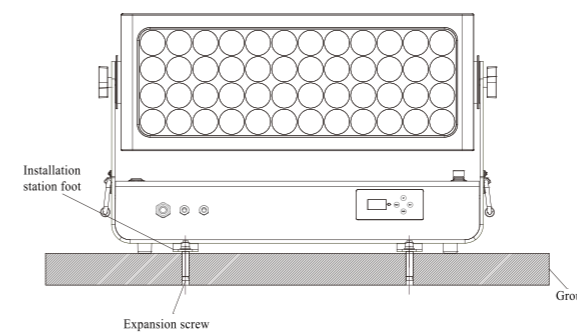
FX-1500P Optical Parameters



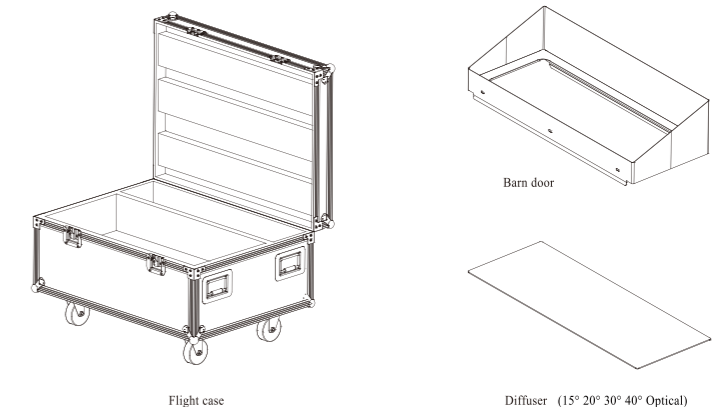
FX-1500P Specifications



FX-1500P Installation Instruction



FX-1500P Optional accessories





IBS18A

Tree light
LED RGBW 4 in 1 chip

- Could dim from 2700k to 8000k
- The design of optical angle is based on the tree's physical characteristics the inside lens are 10degree and the outdoor lens are 30degree. It can widely light the tree trunk and leaf, even wash the whole tree because of the unique optical angle
- DMX512 protocol and RDM function
- This fixture can be widely used for the road, garden, theme park or town



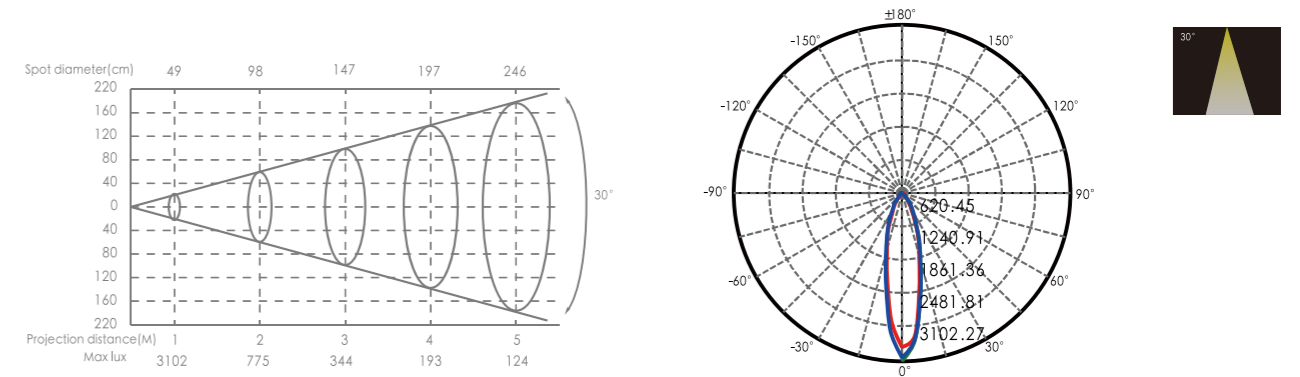
Housing color can be customized



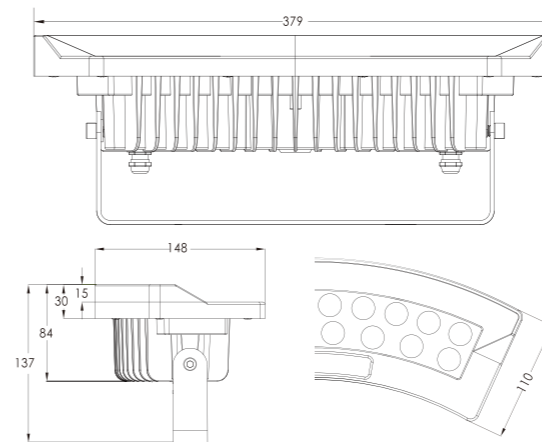
IBS18A Parameter

Item Number	IBS18A01	IBS18A02	IBS18A03	IBS18A04
LED	18pcs			
Beam Angle	20°/30°/40°			
Spot Angle	40°/50°/75°			
Lumen	1100lm		1760lm	
CRI			Ra≥70	
Color	RGBW(W:3000/4000/6000K Optional)		1800K~6000K Optional	
Dimensions	380x138x148mm			
N.W.	1.8kg	2.5kg	1.8kg	
Input Voltage	DC24V			
Power	36W			
Power Factor	>0.9			
Housing Material	Die-cast Aluminium			
Housing Color	Matt black / Grey			
Cooling	Natural convection cooling			
Control Protocol	DMX512、RDM		DMX512	ON/OFF
Segmented Control	Integral Control			
Channel	/			
Power / Installation	Independent			
Connection	5pin rubber cable:input/output			2pin rubber cable:input/output
Power Linking	4pcs			
DMX Linking	128pcs			
Certification	CE、RoHS			
IP Grade	IP65	IP67	IP65	

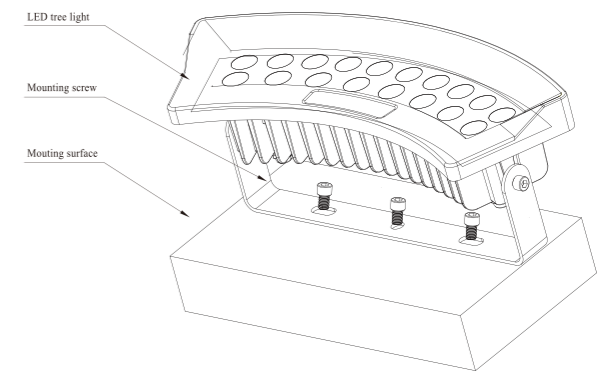
IBS18A Optical Parameters



IBS18A Specifications



IBS18A Installation Instruction





IWL171

A professional LED corrugated lamp with RGBW 4 in 1 chip

- The fixture has configured superior optical system. It also have rich angles for different application
- Color change is natural, with better color mixing
- DMX512, RDM, data bidirectional protocol
- This fixture can be specialized in culture and tour market, widely used in theme park, theme town, live show, bridge, pier, high tower etc



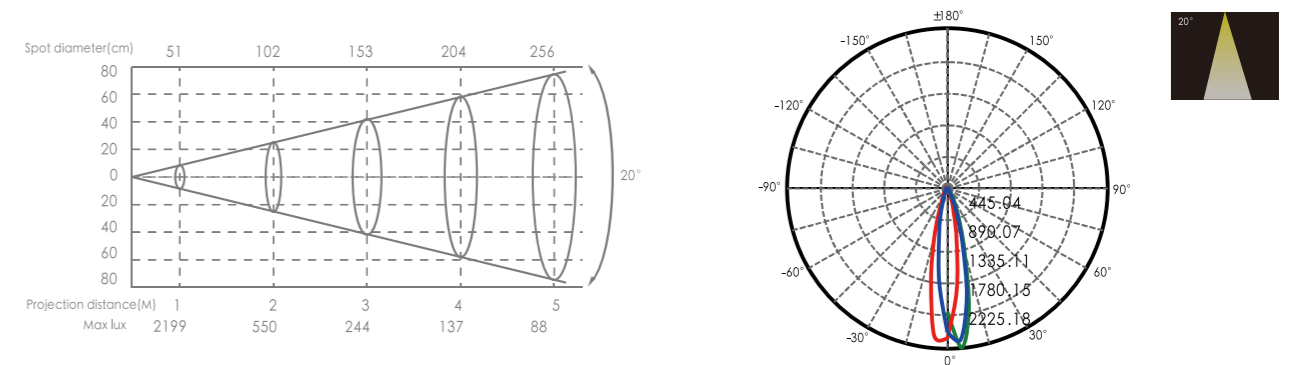
Housing color can be customized



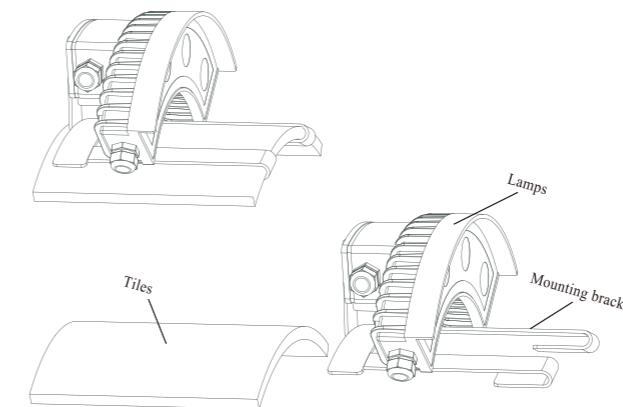
IWL171 Parameter

Item Number	IWL17104	IWL17105	IWL17106	IWL17107
LED	6pcs			
Beam Angle	20°/30°/40°			
Spot Angle	40°/50°/75°			
Lumen	449lm		728lm	
CRI	Ra≥70			
Color	RGBW(W:3000/4000/6000K Optional)		1800K~6000K Optional	
Dimensions	217x85x83mm			
N.W.	1.0kg			
Input Voltage	DC24V			
Power	12W			
Power Factor	>0.9			
Housing Material	Die-cast Aluminium			
Housing Color	Matt black / Grey			
Cooling	Natural convection cooling			
Control Protocol	DMX512、RDM	DMX512	DMX512	ON/OFF
Segmented Control	Integral Control			
Channel	/			
Power / Installation	Independent			
Connection	5pin rubber cable:input/output			2pin rubber cable:input/output
Power Linking	10pcs			
DMX Linking	128pcs			
Certification	CE、RoHS			
IP Grade	IP67			

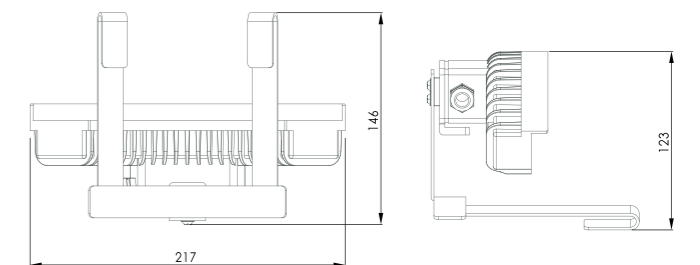
IWL171 Optical Parameters



IWL171 Installation Instruction



IWL171 Specifications





IXT18C

A professional LED Linear Light

- We have the length of 1m, 0.5m, 0.3m optional for project use
- The fixture is configured superior optical system. It also have rich angles for different application.
- DMX512 protocol and RDM function
- Color change is natural, with better color mixing, meanwhile, it also have single white LED type opprotidoun.
- This fixture can be widely used in theme park, t heme town, high buildings, live show , bridge, pier, high tower lighting and other places



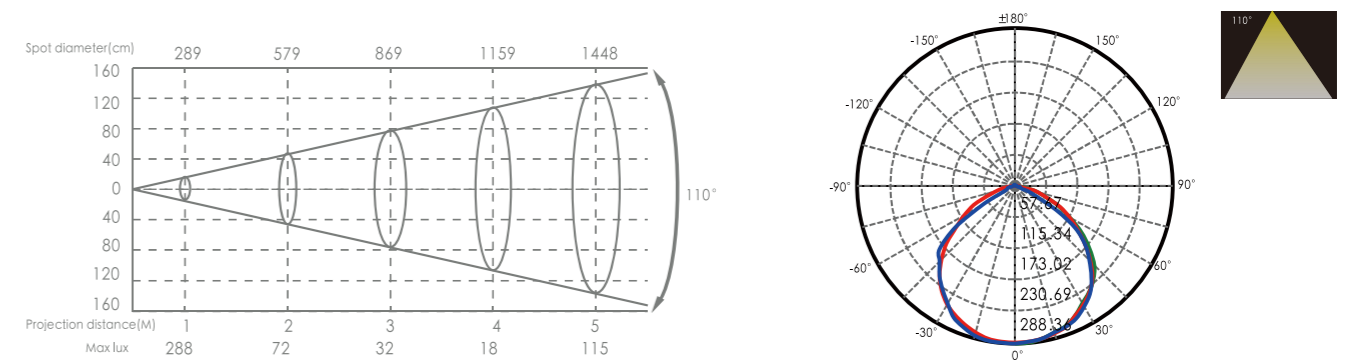
Housing color can be customized



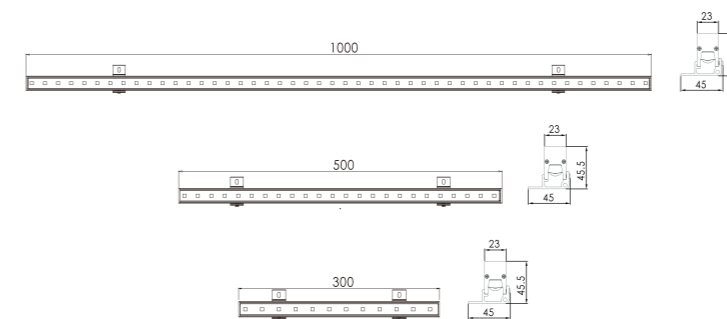
IXT18C Parameter

Item Number	IXT18C20(1000mm)	IXT18C02(1000mm)	IXT18C04(1000mm)	IXT18C38(1000mm)
	IXT18C21(500mm)	IXT18C36(500mm)	IXT18C34(500mm)	IXT18C32(500mm)
	IXT87C22(300mm)	IXT87C37(300mm)	IXT87C35(300mm)	IXT87C33(300mm)
LED Qty	48 pcs(1000mm)/24 pcs(500mm)/12 pcs(300mm)			
Beam Angle	110°			
Spot Angle	160°			
Lumen	755lm/460lm/220lm		410lm/200lm/150lm	
CRI	Ra≥70			
Color Tempreture	1800K~6000K optional		RGB	
Product Measurement	1000x45x46mm(1000mm)/500x45x46mm(500mm)/300x45x46mm(300mm)			
N.W.	0.8kg(1000mm)/0.5kg(500mm)/0.3kg(300mm)			
Input Voltage Range	DC24V			
Watts	12W(1000mm)/6W(500mm)/3W(300mm)			
Power Factor	>0.9			
Housing Material	Tensile Aluminum			
Color	Matt black / Grey			
Cooling	Natural convection cooling			
Control Protocol	ON/OFF	DMX512	DMX512	DMX512
Segmented Control	8 Section(1000mm)/4 Section(500mm)/2 Section(300mm)			
Channel	/			
Power /Installation	Independent			
Conection	2pin rubber cable:input/output	black rubber cable 5 Pin In & Out		
Power Linking	8pcs(1000mm)/16pcs(500mm)/32pcs(300mm)			
DMX Linking	16pcs(1000mm)/32pcs(500mm)/64pcs(300mm)			
Certification	CE, RoHS			
IP Grade	IP65			

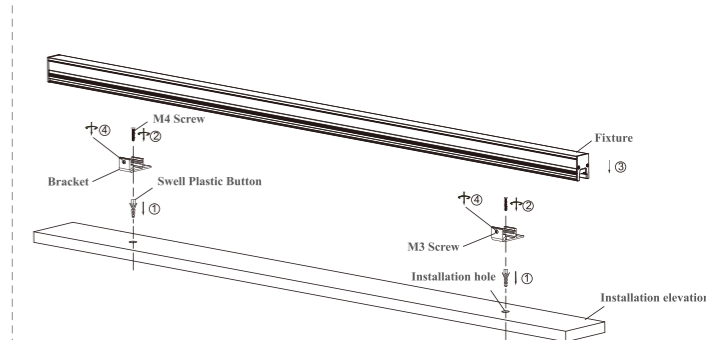
IXT18C Optical Parameters



IXT18C Specifications



IXT18C Installation Instruction





IXQ17C

A professional LED wall Washer

- We have the length of 1m, 0.5m, 0.3m optional for project use
- Color change is natural, with better color mixing
- The fixture has configured superior optical system. It also have rich angles for different application
- DMX512 protocol and RDM function
- This fixture can be widely used in theme park, theme town, high buildings, live show, bridge, pier, high tower lighting and other places



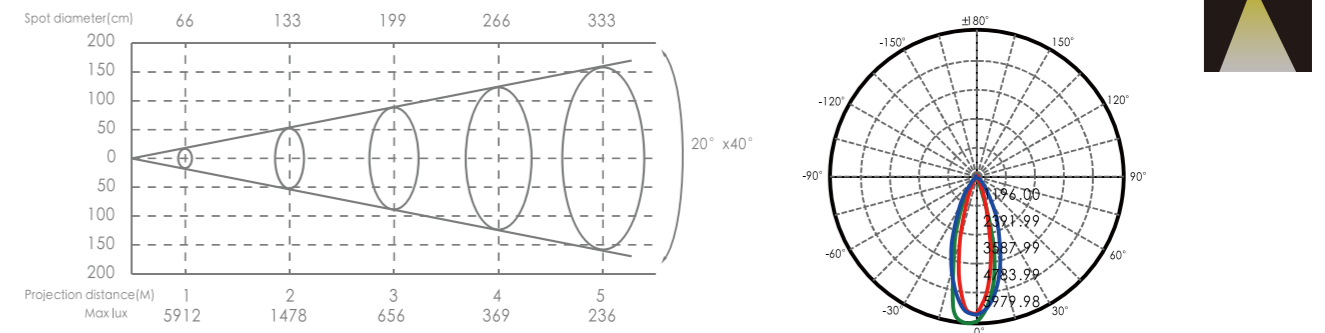
Housing color can be customized



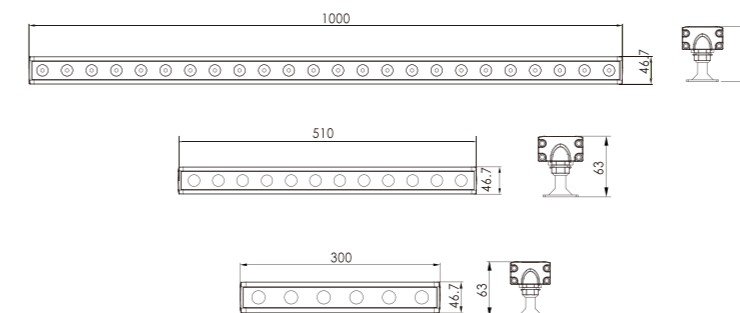
IXQ17C Parameter

Item Number	IXQ17C31(1000mm)	IXQ17C16(1000mm)	IXQ17C17(1000mm)	IXQ17C20(1000mm)	IXQ17C47(1000mm)
	IXQ17C39(500mm)	IXQ17C34(500mm)	IXQ17C35(500mm)	IXQ17C36(500mm)	
LED Qty	24 pcs(1000mm)/12 pcs(500mm)/6 pcs(300mm)				16pcs(1000mm)
Beam Angle	20° /30° /40° / 20° x40° optional				
Spot Angle	40° /50° /75° / 45° x75° optional				
Lumen	2260lm/1116lm/710lm		1050lm/650lm/318lm	1240lm/610lm/430lm	1240lm
CRI	Ra≥70				
Color Tempreture	1800K~6000K optional		RGB	RGBW(W:3000/4000/6000K optional)	
Product Measurement	1000x47x63mm(1000mm)/500x47x63mm(500mm)/300x47x63mm(300mm)				
N.W.	1.9kg(1000mm)/1.2kg(500mm)/0.8kg(300mm)				
Input Voltage Range	DC24V				
Watts	36W(1000mm)/18W(500mm)/9W(300mm)				
Power Factor	>0.9				
Housing Material	Tensile Aluminum+die-cast aluminium				
Color	Matt black / Grey				
Cooling	Natural convection cooling				
Control Protocol	ON/OFF	DMX512	DMX512	DMX512	DMX512-RDM
Segmented Control	4 Section(1000mm)/2 Section(500mm)/1 Section(300mm)				4 Section(1000mm)
Channel					4/6/7/16
Power /Installation	Independent				
Conection	2pin rubber cable:input/output		black rubber cable 5 Pin In & Out		
Power Linking	5 pcs(1000mm)/8 pcs(500mm)/12 pcs(300mm)				
DMX Linking	32/64/128				
Certification	CE, RoHS				
IP Grade	IP65 IP65				

IXQ17C Optical Parameters



IXQ17C Specifications



IXQ17C Installation Instruction





IXQ17D

A professional LED wall Washer

- We have the length of 1m, 0.5m, 0.3m optional for project use
- The fixture has configured superior optical system. It also have rich angles for different application
- Color change is natural, with better color mixing
- DMX512 protocol and RDM function
- This fixture can be widely used in theme park, theme town, high buildings, live show, bridge, pier, high tower lighting and other places.



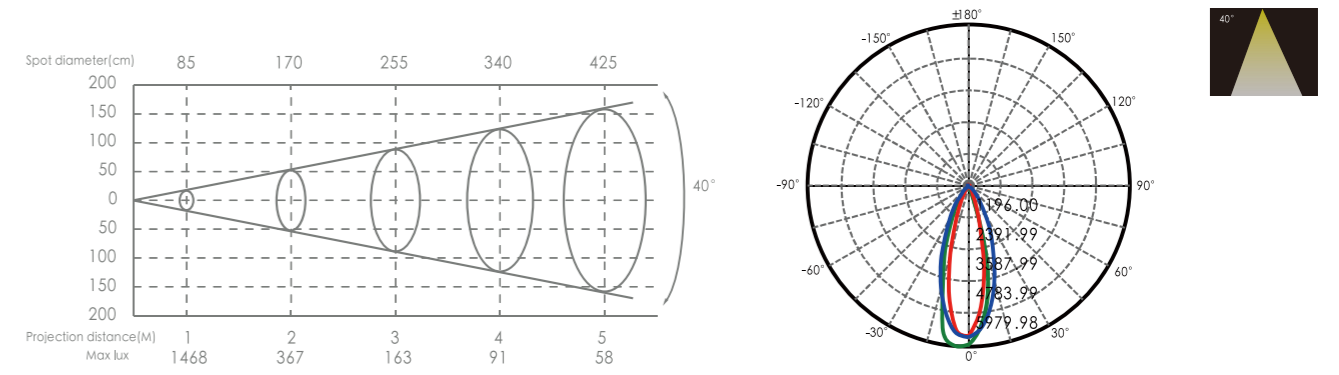
Housing color can be customized



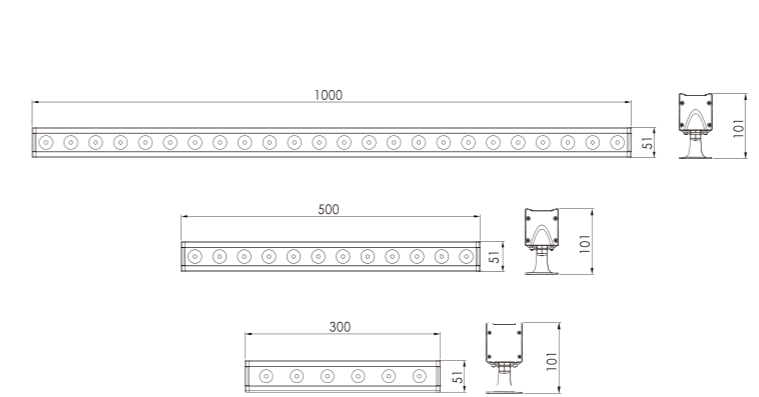
IXQ17D Parameter

Item Number	IXQ17D22(1000mm)	IXQ17D24(1000mm)	IXQ17D26(1000mm)	IXQ17D28(1000mm)	IXQ17D43(1000mm)
	IXQ17D30(500mm)	IXQ17D32(500mm)	IXQ17D34(500mm)	IXQ17D36(500mm)	
	IXQ17D38(300mm)	IXQ17D39(300mm)	IXQ17D40(300mm)	IXQ17D41(300mm)	
LED	24 pcs(1000mm)/12 pcs(500mm)/6 pcs(300mm)				16 pcs(1000mm)
Beam Angle	20° /30° /40° /20° x40° optional				
Spot Angle	40° /50° /75° /45° x75° optional				
Lumen	3750lm/1860lm/815lm		1395lm/865lm/450lm	1835lm/1085lm/550lm	2036lm
CRI	Ra≥701				
Color	1800k-6000k optional		RGB	RGBW(W:3000/4000/6000K optional)	
Dimensions	1000x52x101mm(1000mm)/510x52x101mm(500mm)/300x52x101mm(300mm)				
N.W.	3kg(1000mm)/1.7kg(500mm)/1.2kg(300mm)				
Input Voltage	AC220V				
Power	48W(1000mm)/24W(500mm)/12W(300mm)				
Power Factor	>0.9				
Housing Material	Tensile Aluminum+die-cast aluminium				
Housing Color	Matt black / Grey				
Cooling	Natural convection cooling				
Control Protocol	ON/OFF	DMX512	DMX512	DMX512	DMX512、RDM
Segmented Control	4 Section(1000mm)/2 Section(500mm)/1 Section(300mm)				4 Section(1000mm)
Channel	/				4/6/7/16
Power /Installation	Build-in integration				
Conection	3pin rubber cable:input/output	Power: Black rubber cable 3Pin In & Out; DMX: Black rubber cable 4Pin In & Out			
Power Linking	14 pcs(1000mm)/28 pcs(500mm)/56 pcs(300mm)				
DMX Linking	32 pcs(1000mm)/64 pcs(500mm)/128 pcs(300mm)				
Certification	CE、RoHS				
IP Grade	IP65				

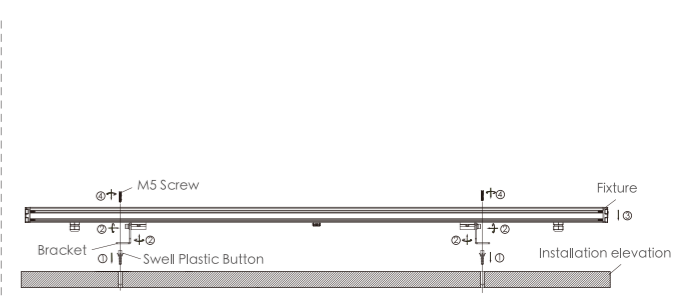
IXQ17D Optical Parameters



IXQ17D Specifications



IXQ17D Installation Instruction

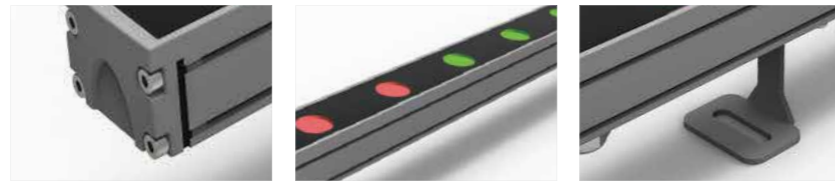




IXQ18A

A professional low power LED wall Washer

- We have the length of 1m, 0.5m, 0.3m optional for project use.
- The fixture is configured superior optical system. It also have rich angles for wash use
- The fixture has configured superior optical system. It also have rich angles for different application
- Color change is natural, with better color mixing, meanwhile, it also have single white LED type optional
- DMX512 protocol and RDM function
- This fixture can be widely used in theme park, theme town, high buildings, live show, bridge, pier, high tower lighting and other places.



Housing color can be customized

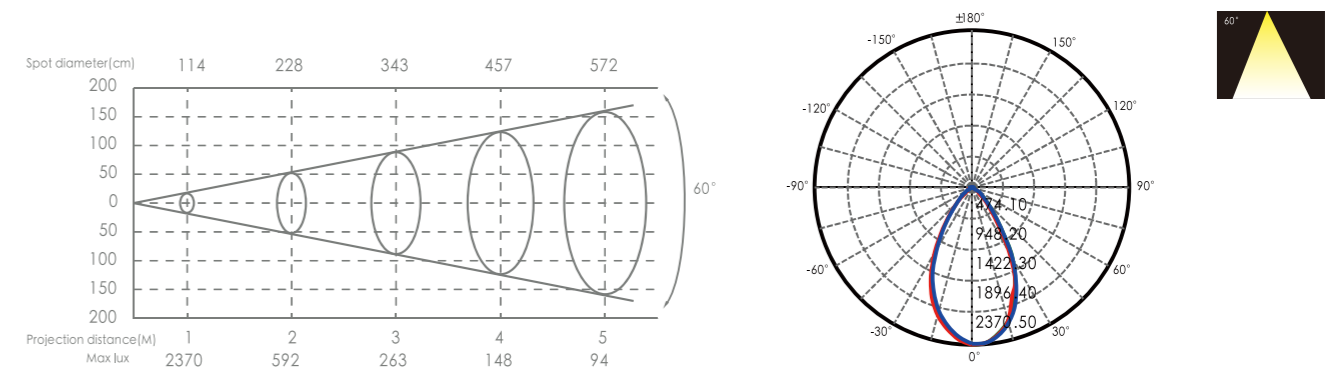


IXQ18A

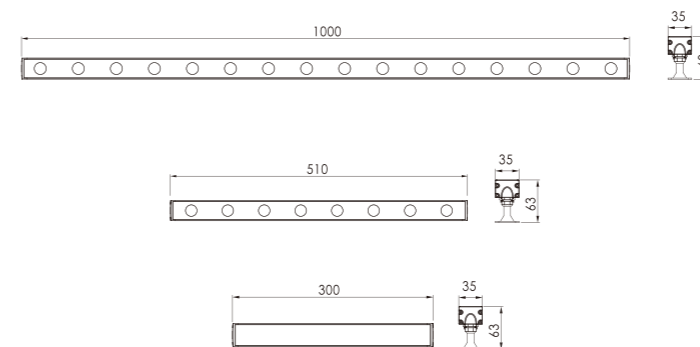
Parameter

Item Number	IXQ18A01(1000mm)	IXQ18A03(1000mm)	IXQ18A10(1000mm)	IXQ18A13(1000mm)	IXQ18A17(1000mm)
	IXQ18A06(500mm)	IXQ18A08(500mm)	IXQ18A11(500mm)	IXQ18A14(500mm)	
LED Qty	24 pcs(1000mm)/12 pcs(500mm)/6 pcs(300mm)		16 pcs(1000mm)/8 pcs(500mm)/4 pcs(300mm)	16 pcs(1000mm)	
Beam Angle	20° /30° /40°/ 20° x40°/60° optional				
Spot Angle	40° /50° /75° /45° x75°/100° optional				
Lumen	2350lm/1160lm/570lm		960lm/575lm/320lm	1040lm/610lm/350lm	1040lm
CRI	Ra≥70				
Color Temperture	1800K~6000K optional		RGB	RGBW(W:3000/4000/6000K optional)	
Product Measurement	1000x35x63mm(1000mm)/510x35x63mm(500mm)/300x35x63mm(300mm)				
N.W.	1.5kg(1000mm)/0.8kg(500mm)/0.5kg(300mm)				
Input Voltage Range	DC24V				
Watts	24W(1000mm)/12W(500mm)/6W(300mm)				
Power Factor	>0.9				
Housing Material	Tensile Aluminum+die-cast aluminium				
Color	Matt black / Grey				
Cooling	Natural convection cooling				
Control Protocol	ON/OFF	DMX512	DMX512	DMX512	DMX512、RDM
Segmented Control	4 Section(1000mm)/2 Section(500mm)/1 Section(300mm)				4 Section(1000mm)
Channel	/				4/6/7/16
Power /Installation	Independent				
Conection	2pin rubber cable:input/output		black rubber cable 5 Pin In & Out		
Power Linking	6 pcs(1000mm)/12 pcs(500mm)/24 pcs(300mm)				
DMX Linking	32 pcs(1000mm)/64 pcs(500mm)/128 pcs(300mm)				
Certification	CE、RoHS				
IP Grade	IP65				

IXQ18A Optical Parameters



IXQ18A Specifications



IXQ18A Installation Instruction





IXQ18B

A professional LED wall Washer

- We have the length of 1m, 0.5m, 0.3m optional for project use.
- The fixture has configured superior optical system. It also have rich angles for different application
- Color change is natural, with better color mixing, meanwhile, it also have single white light LED type optiona
- DMX512 protocol and RDM function
- This fixture can be widely used in theme park, theme town, high buildings, live show, bridge, pier, high tower lighting and other places.



Housing color can be customized



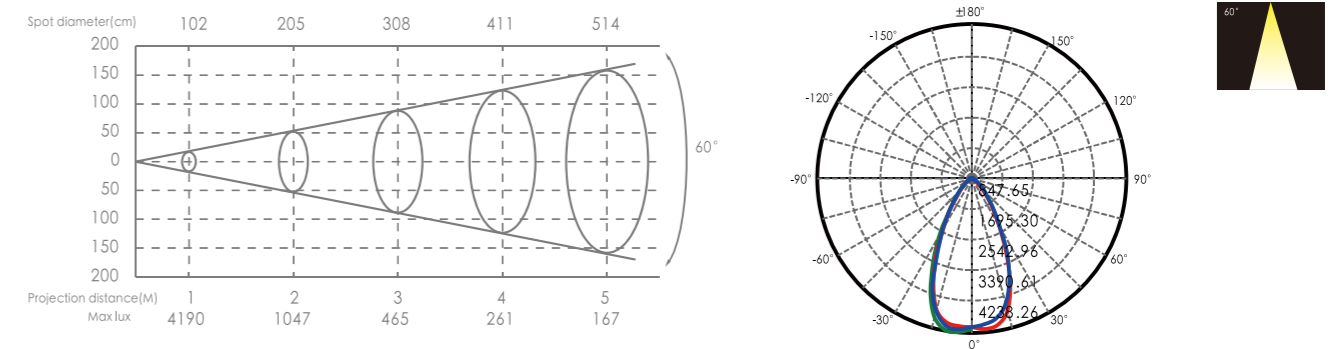
IXQ18B

Parameter

Item Number	IXQ18B01(1000mm)	IXQ18B03(1000mm)	IXQ18B05(1000mm)	IXQ18B07(1000mm)	IXQ18B17(1000mm)
	IXQ18B09(500mm)	IXQ18B11(500mm)	IXQ18B13(500mm)	IXQ18B15(500mm)	
LED Qty	24 pcs(1000mm)/12 pcs(500mm)/6 pcs(300mm)				16 pcs(1000mm)
Beam Angle	20° /30° /40° /20° x40°/60° optional				
Spot Angle	40° /50° /75° /45° x75°/100° optional				
Lumen	3750lm/1860lm/815lm		1395lm/865lm/450lm	1835lm/1085lm/550lm	1652lm
CRI	Ra≥70				
Color Tempreture	1800K~6000K optional		RGB	RGBW(W:3000/4000/6000K optional)	
Product Measurement	1000x52x80mm(1000mm)/510x52x80mm(500mm)/300x52x80mm(300mm)				
N.W.	2.5kg(1000mm)/1.6kg(500mm)/1.2kg(300mm)				
Input Voltage Range	DC24V				
Watts	48W(1000mm)/24W(500mm)/12W(300mm)				
Power Factor	>0.9				
Housing Material	Tensile Aluminum+die-cast aluminium				
Color	Matt black / Grey				
Cooling	Natural convection cooling				
Control Protocol	ON/OFF	DMX512	DMX512	DMX512	DMX512、RDM
Segmented Control	4 Section(1000mm)/2 Section(500mm)/1 Section(300mm)				4 Section(1000mm)
Channel	/				4/6/7/16
Power / Installation	Independent				
Conection	2pin rubber cable:input/output		black rubber cable 5 Pin In & Out		
Power Linking	3 pcs(1000mm)/6 pcs(500mm)/12 pcs(300mm)				
DMX Linking	32 pcs(1000mm)/64 pcs(500mm)/128 pcs(300mm)				
Certification	CE、RoHS				
IP Grade	IP65				

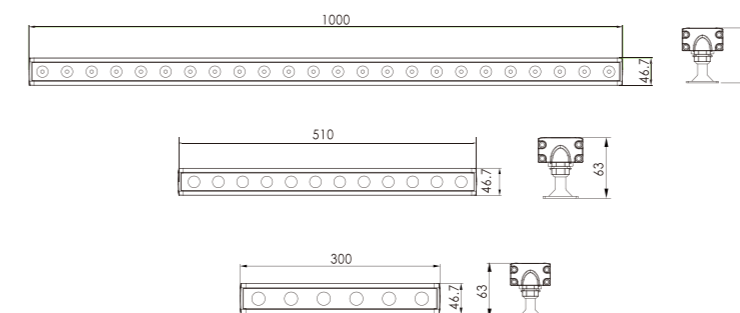
IXQ18B

Optical Parameters



IXQ18B

Specifications



IXQ18B

Installation Instruction





Scan the code to see details



TPL -128

A professional light weight LED BAR for indoor and outdoor use

- Color change is natural, with better color mixing
- This fixture can be specialized in rental company, studio, auditorium, bar, and other places, widely used in the footlight of stage performance, rim light of stage



Housing color

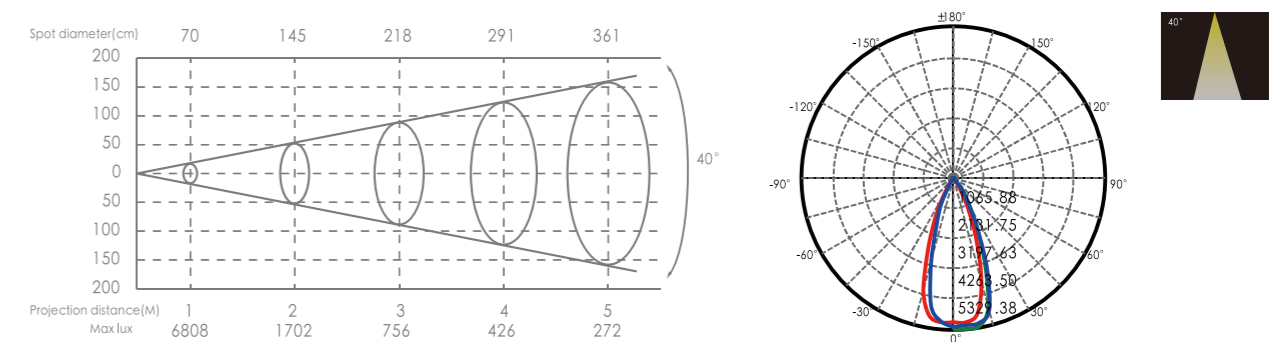


TPL-128

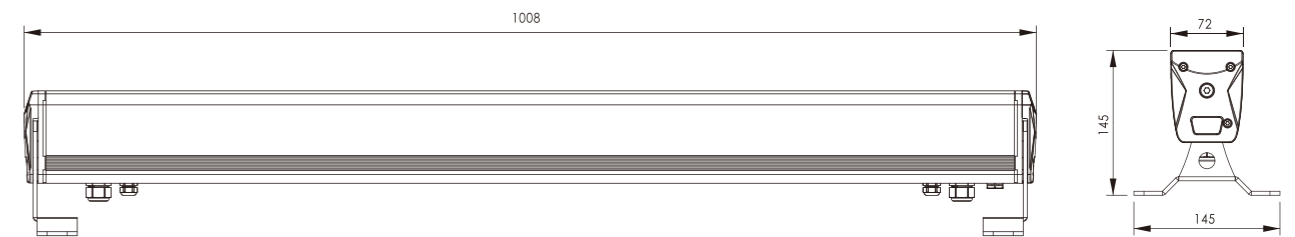
Parameter

LED Qty	16*5W 4 in 1 RGBW	Dimensions	1008x145x145mm
Lumen	2575lm	N.W.	6.2Kg
Beam angle	20°, 40°	Housing material	Tensile Aluminum
Input voltage	AC110~240V, 50-60Hz	Housing color	Black
Power	82W	Power cable	3 Pin In & Out
Drive current	350mA	DMX cable	3 Pin In & Out
Dimming	16Bit	Electrical safety class	I
Cooling	Natural convection cooling	EMC	EMC, EMI
Control protocol	DMX512	Permitted Ambient Temperature	-20°C~45 °C
DMX channel	4CH, 6CH, 9CH	IP Grade	IP65
Function	Auto Run, User-Defined		

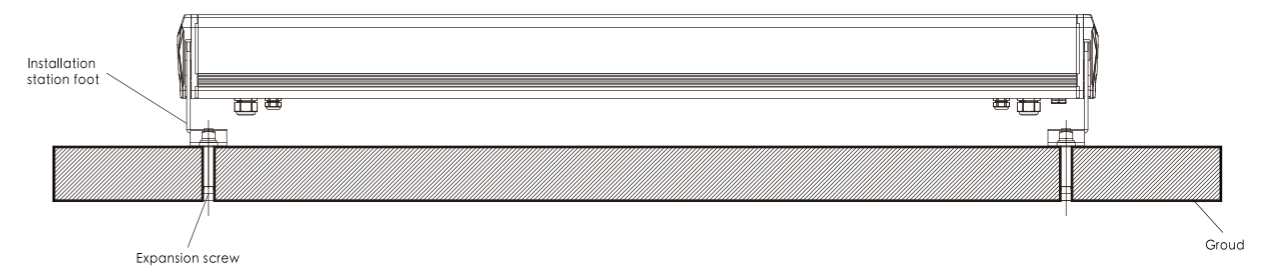
TPL-128 Optical Parameters



TPL-128 Specifications



TPL-128 Installation Instruction





CT-002P

A professional light weight 1M LED BAR for indoor and outdoor use

- Color change is natural, with better color mixing
- Pixel independently control RGBW which can present the rainbow and flowing water effect
- DMX512 protocol and RDM function
- This fixture can be specialized in rental company, studio, auditorium, bar, and other places, widely used in the footlight of stage performance, rim light of stage



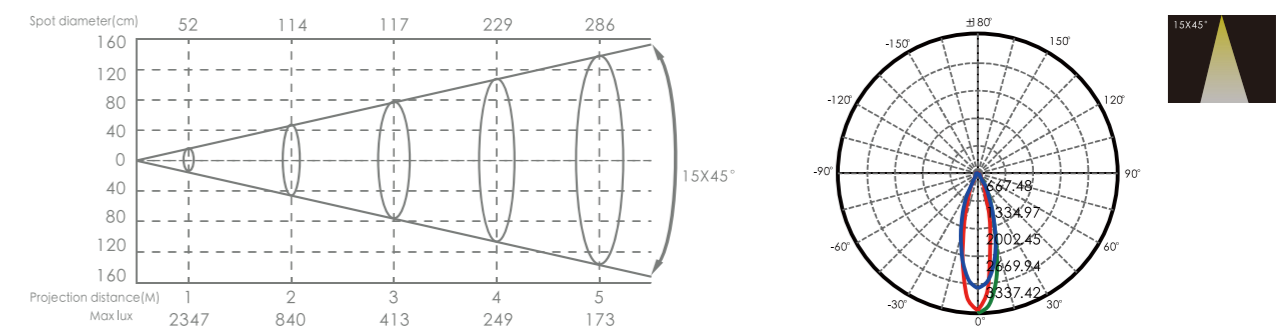
Housing color ■



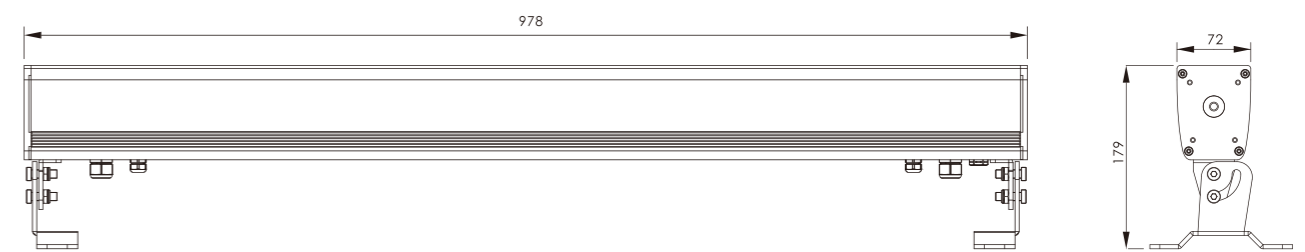
CT-002P Parameter

LED Qty	14*10W 4 in 1 RGBW	Function	Auto Run, User-Defined
CCT	3000K	Dimensions	978x141x179mm
Lumen	1087lm	N.W.	6.2Kg
Beam angle	15°x45°	Housing material	Tensile Aluminum
Input voltage	AC100~240V, 50-60Hz	Housing color	Black
Power	85W	Power cable	3 Pin In & Out
Drive current	350mA	DMX cable	3 Pin In & Out
Dimming	16Bit	Electrical safety class	I
Cooling	Natural convection cooling	EMC	EMC, EMI
Control protocol	DMX512, RDM	Permitted Ambient Temperature	-20°C~45°C
DMX channel	4CH, 6CH, 8CH, 56CH	IP Grade	IP65

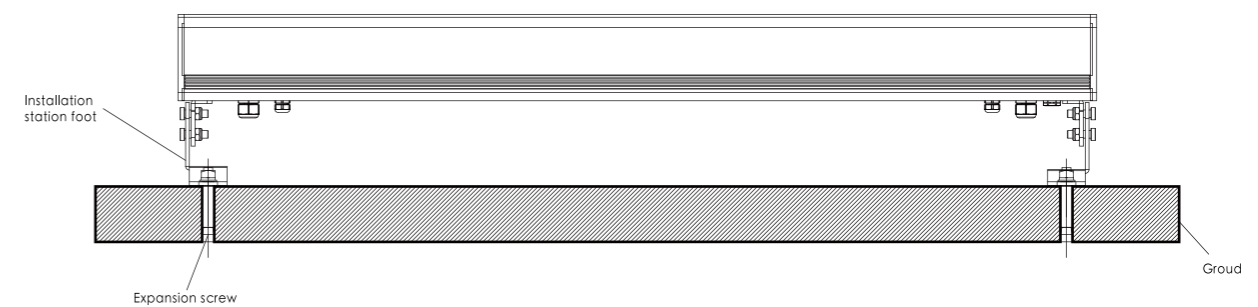
CT-002P Optical Parameters



CT-002P Specifications



CT-002P Installation Instruction





Scan the code to see details



TPL-028TE

A professional light weight LED BAR for indoor and outdoor use

- Color change is natural, with better color mixing
- This fixture can be specialized in rental company, studio, auditorium, bar, and other places, widely used in the footlight of stage performance, rim light of stage



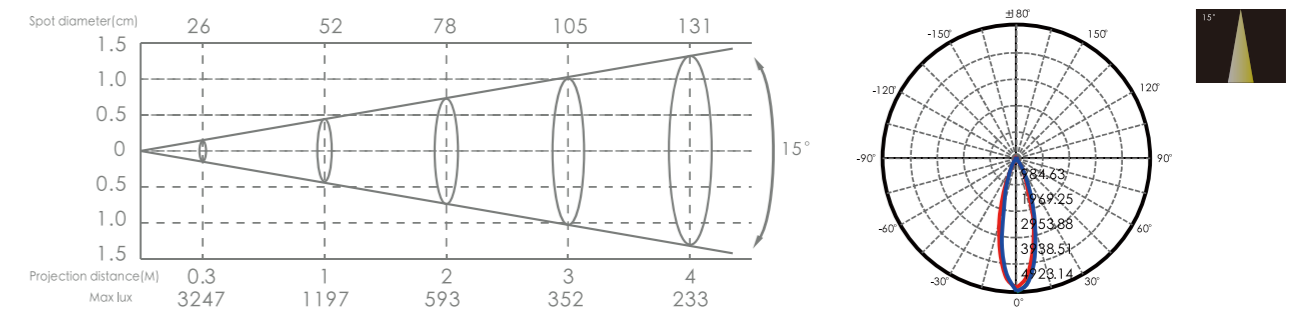
Housing color can be customized



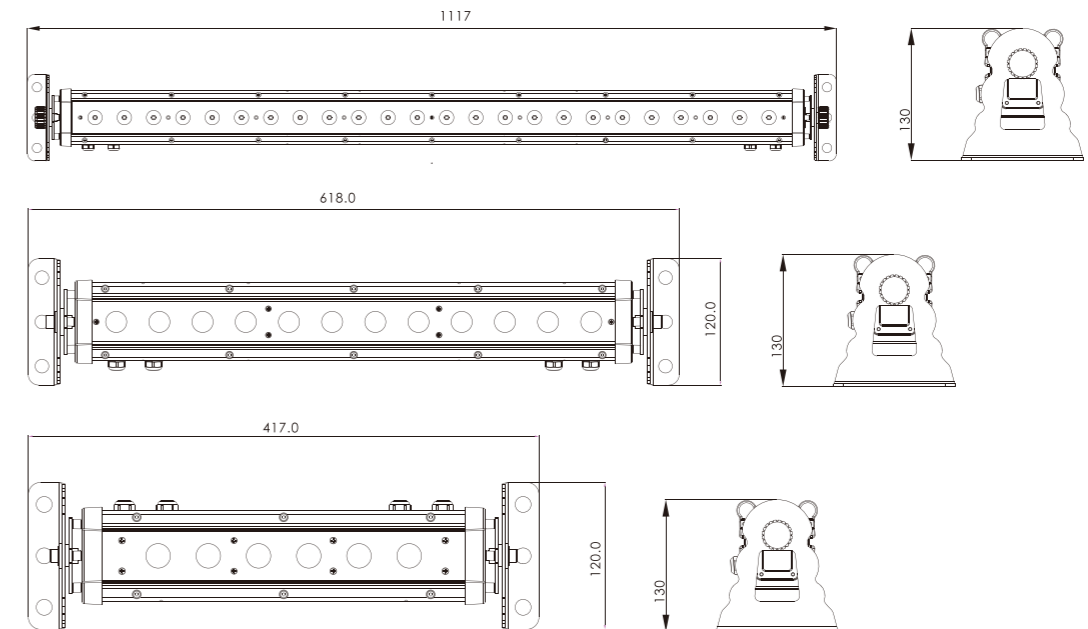
TPL-028TE Parameter

LED Qty	24*9W 3 in 1 RGB	Dimensions	1118x120x130mm
Lumen	1623lm	N.W.	5.9Kg
Beam angle	15°	Housing material	Tensile Aluminum+die-cast aluminium
Input voltage	AC100~240V,50-60Hz	Housing color	Black
Power	97W	Power cable	3 Pin In & Out
Drive current	300mA	DMX cable	3 Pin In & Out
Dimming	8Bit	Electrical safety class	I
Cooling	Natural convection cooling	EMC	EMC、EM
Control protocol	DMX512	Permitted Ambient Temperature	-20°C~45 °C
DMX channel	3CH、5CH	IP Grade	IP65
Function	Auto Run, User-Defined		

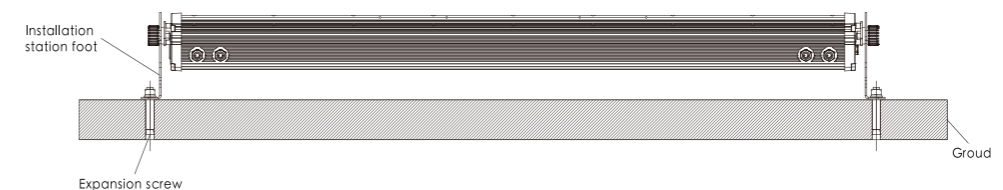
TPL-028TE Optical Parameters



TPL-028TE Specifications



TPL-028TE Installation Instruction





MYLED-101

Seven colors can be flexibly adjusted, present rainbow water effect

- Smooth dimming
- DMX512, RDM, data bidirectional protocol
- Widely used for Cultural tourism market, theme park, Characteristic town, etc



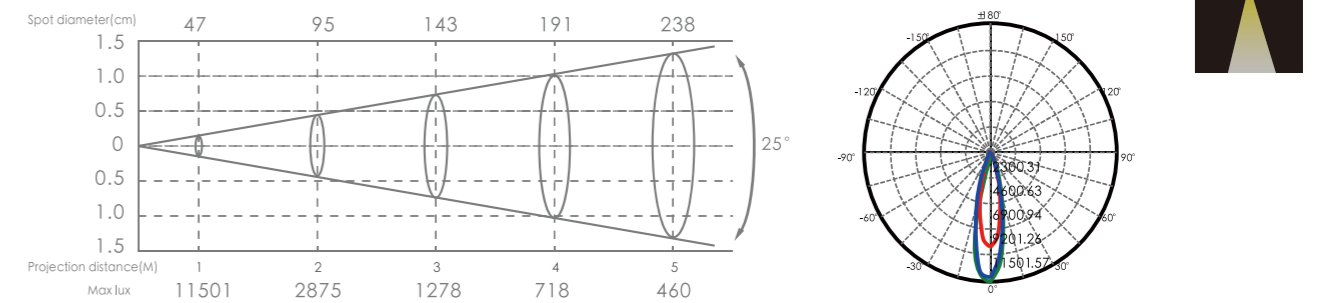
Housing color can be customized



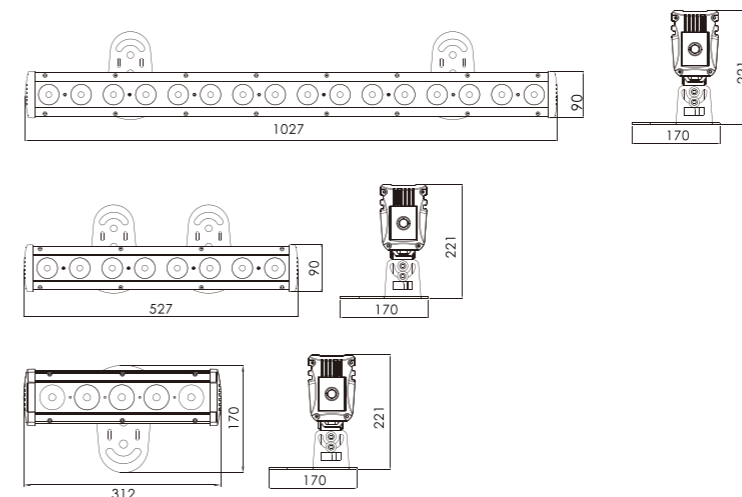
MYLED-101 Parameter

Item Number	MYLED-101	MYLED-101H	MYLED-102A	MYLED-103A
LED Qty	18 pcs			9 pcs
Beam Angle	15° /25° optional			
Spot Angle	25° /45° optional			
Lumen	3258lm	3558lm	2890lm	1586lm
CRI				
Color Tempreture	RGBW(W:6000K)			
Product Measurement	1027*170*222mm			527*140*222mm
N.W.	8.5kg			4.2kg
Input Voltage Range	AC220V			
Watts	120W	105W	190W	54W
Power Factor	>0.9			
Housing Material	Tensile Aluminum+die-cast aluminium			
Color	Matt black / Grey			
Cooling	Natural convection cooling			
Control Protocol	DMX512			
Segmented Control	6 Section	1 Section	Control	3 Section
Channel	3/6/24	4/6/8	2/6/72	4/6/8
Power /Installation	Build-in integration			
Conection	Power line:3pin rubber cable:input/output Signal line:2pin rubber cable:input/output			
Power Linking	7 pcs			20 pcs
DMX Linking	20 pcs	128 pcs	7 pcs	40 pcs
Certification	CE, RoHS			
IP Grade	IP67			

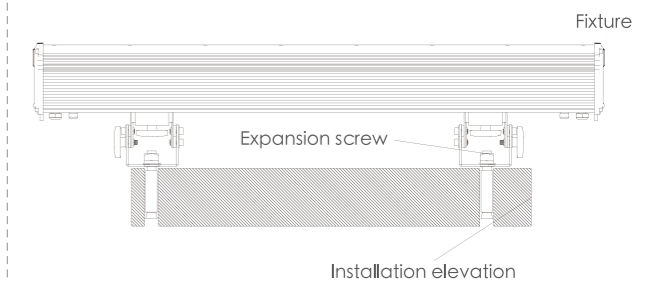
MYLED-101 Optical Parameters



MYLED-101 Specifications



MYLED-101 Installation Instruction





Scan the code to see details



CT-001P-1M

A professional 1M LED BAR for indoor and outdoor use

- Color change is natural, with better color mixing
- Pixel independently control RGBW which can present the rainbow and flowing water effect
- Standard DM X512 protocol and RDM, data two-way feed back protocol
- This fixture can be specialized in rental company, studio, auditorium, bar, and other places, widely used in the footlight of stage performance, rim light of stage



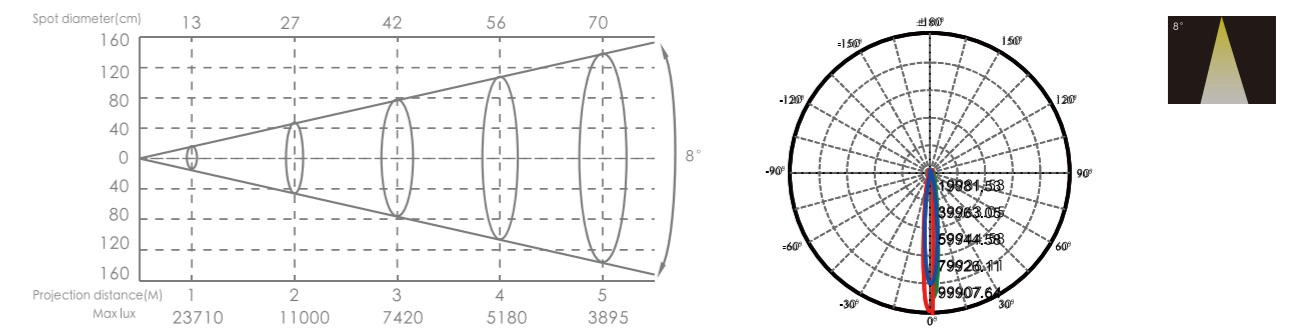
Housing color



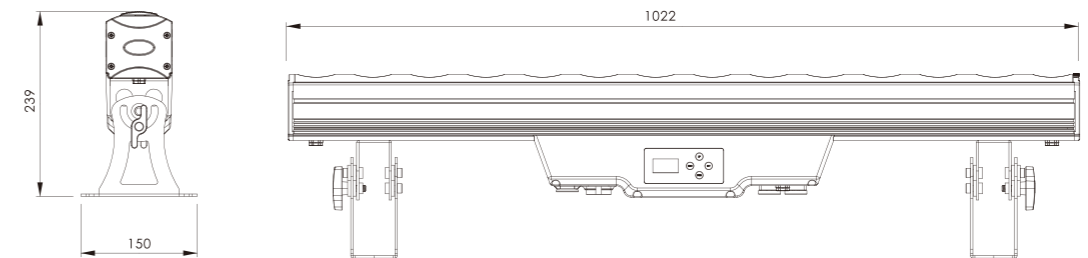
CT-001P-1M Parameter

LED Qty	14*15W 4 in 1 RGBW	Function	segmented independent control, Auto Run program, Auto Run effect, change the different angle rapidly
CCT	6500K	Dimensions	1022x150x239mm
Lumen	3283lm	N.W.	10.2Kg
Beam angle	4.5°, 8°, 20°	Housing material	Die -cast Magnesium alloy+Tensile Aluminum+Environmental Protection Flame Retardant ABS
Input voltage	AC100~240V,50-60Hz	Housing color	Black
Power	200W	Power cable	input/output Xi Shang waterproof power socket
Drive current	1A	DMX cable	input/output Xi Shang waterproof signal socket
Dimming	16Bit	Electrical safety class	I
Cooling	Natural convection cooling	EMC	EMC、EMI
Control protocol	DMX512	Permitted Ambient Temperature	-20°C~45°C
DMX channel	4CH、6CH、8CH、56CH	IP Grade	IP65

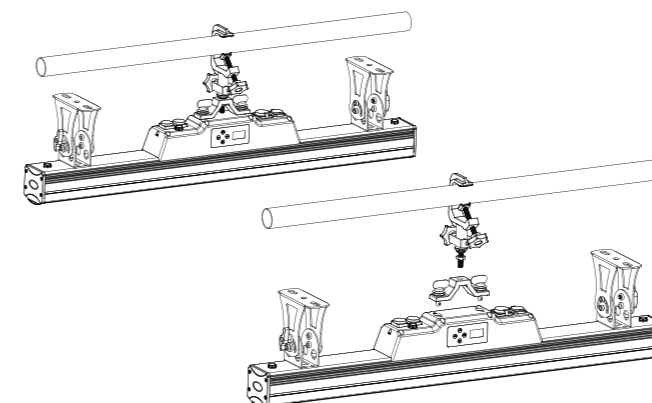
CT-001P-1M Optical Parameters



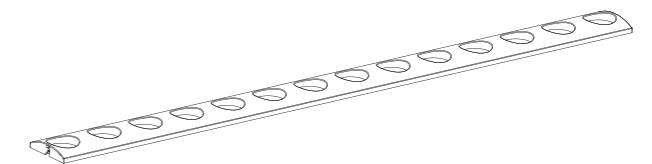
CT-001P-1M Specifications



CT-001P-1M Installation Instruction



CT-001P-1M Installation Instruction



Diffuser 15° 20° 30° 40° 15x60° optional



CT-001P-0.5M

A professional 0.5M LED BAR for indoor and outdoor use

- Color change is natural, with better color mixing
- Pixel independently control RGBW which can present the rainbow and flowing water effect
- Standard DM X512 protocol and RDM, data two-way feed back protocol
- This fixture can be specialized in rental company, studio, auditorium, bar, and other places,widely used in the footlight of stage performance, rim light of stage



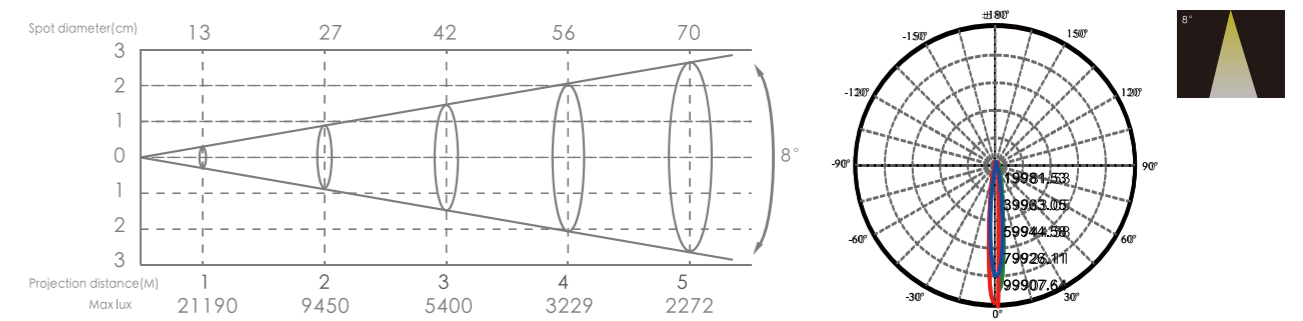
Housing color



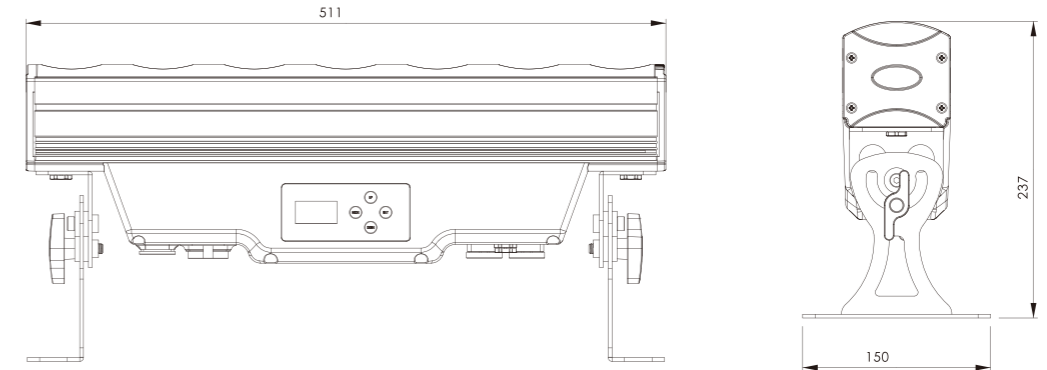
CT-001P-0.5M Parameter

LED Qty	7*15W 4 in 1 RGBW	Function	segmented independent control,Auto Run program,Auto Run effect, change the different angle rapidly
CCT	6500K	Dimensions	511x150x237mm
Lumen	1265lm	N.W.	6.2Kg
Beam angle	4.5°、8°、20°	Housing material	Die -cast Magnesium alloy+Tensile Aluminum+Environmental Protection Flame Retardant ABS
Input voltage	AC100~240V,50-60Hz	Housing color	Black
Power	100W	Power cable	input/output Xi Shang waterproof power socket
Drive current	1A	DMX cable	input/output Xi Shang waterproof signal socket
Dimming	16Bit	Electrical safety class	I
Cooling	Natural convection cooling	EMC	EMC、EMI
Control protocol	DMX512	Permitted Ambient Temperature	-20°C~45°C
DMX channel	4CH、6CH、8CH、38CH	IP Grade	IP65

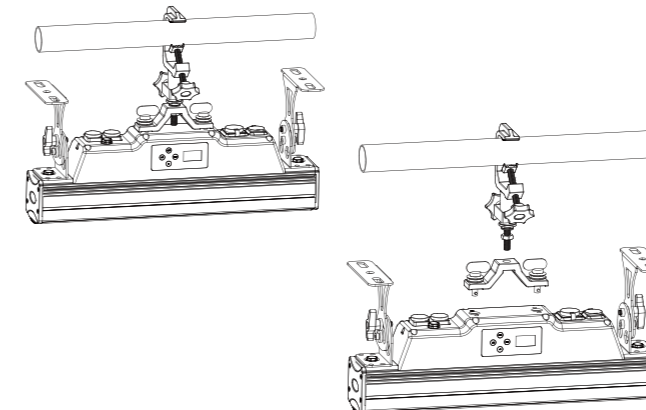
CT-001P-0.5M Optical Parameters



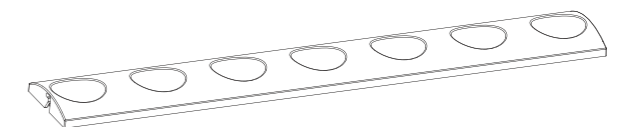
CT-001P-0.5M Specifications



CT-001P-0.5M Installation Instruction



CT-001P-0.5M Optional accessories



Diffuser 15° 20° 30° 40° 15x60° optional



CT-020P-6C
6-in-1 Colorful LED Bar Light

- 6-in-1 RGBWLC with good optic len, Color change is natural, with better color mixing
- Good color mixing and high CRI rate
- 16Bit dimming way
- DMX512 protocol and RDM function
- This fixture can be specialized in rental company, studio, auditorium, bar, and other places, widely used in the footlight of stage performance, rim light of stage



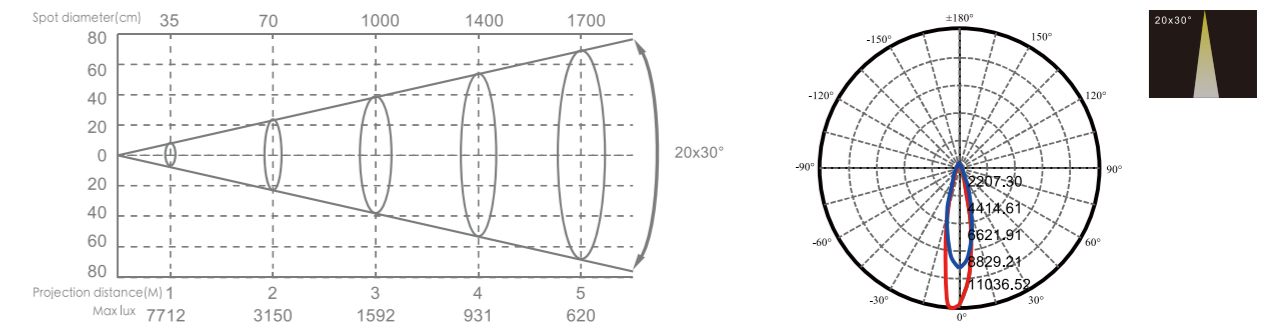
Housing color can be customized



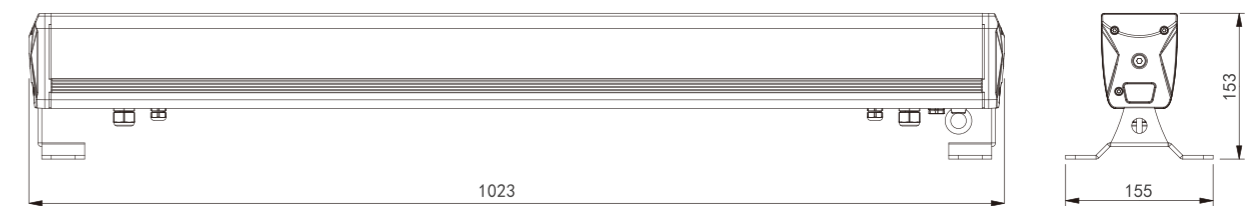
CT-020P-6C Parameter

LED Qty	15pcs*10W 6-in-1 RGBALC 15pcs*10W 6-in-1 RGBWA-UV	Function	The whole section control, rich colors option, Auto Run, User-Defined
CCT	1800K~8000K	Dimensions	1023x154.6x153mm
Lumen	2455lm	N.W.	7Kg
Beam angle	20*30°	Housing material	Tensile Aluminum
Input voltage	AC100~240V, 50-60Hz	Housing color	Black
Power	128W	Power cable	3 Pin In & Out
Drive current	500mA	DMX cable	3 Pin In & Out
Dimming	16Bit	Electrical safety class	I
Cooling	Natural convection cooling	EMC	EMC , EMI
Control protocol	DMX512 , RDM	Permitted Ambient Temperature	-20°C~45 °C
DMX channel	6CH , 8CH , 12CH	IP Grade	IP65

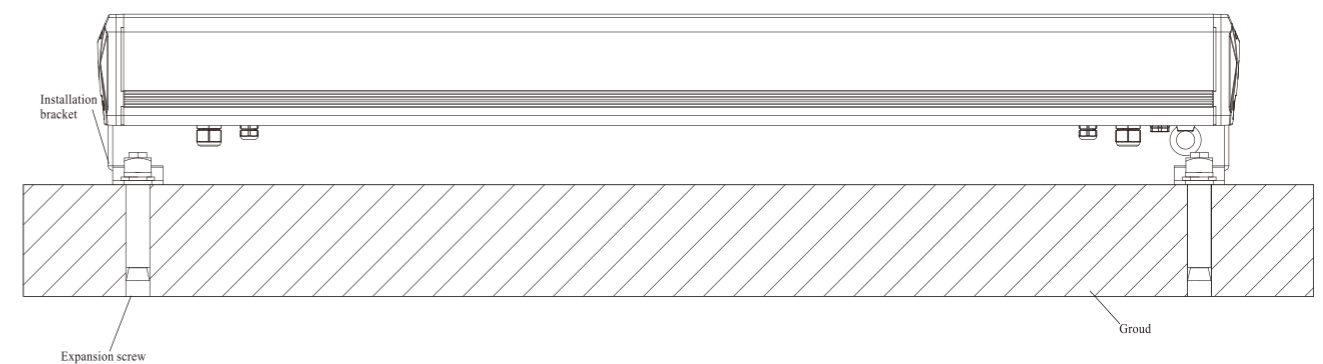
CT-020P-6C Optical Parameters



CT-020P-6C Specifications



CT-020P-6C Installation Instruction





CT-021P-6C
6-in-1 Colorful LED Bar Light

- 6-in-1 RGBWLC with good optic len, Color change is natural, with better color mixing
- Good color mixing and high CRI rate
- 16Bit dimming way
- DMX512 protocol and RDM function
- This fixture can be specialized in rental company, studio, auditorium, bar, and other places, widely used in the footlight of stage performance, rim light of stage



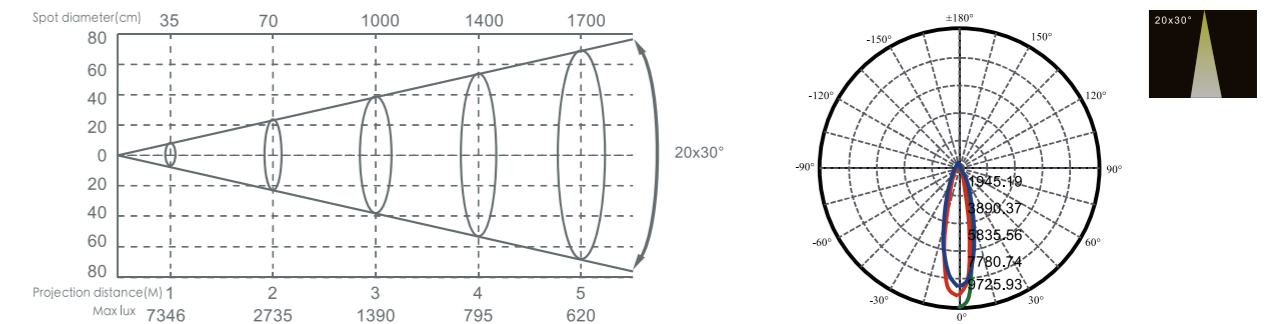
Housing color can be customized



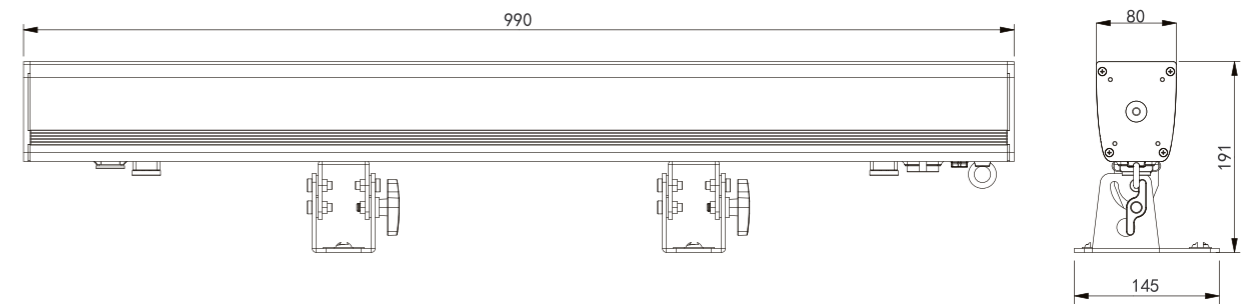
CT-021P-6C Parameter

LED Qty	15pcs*10W 6-in-1 RGBALC 15pcs*10W 6-in-1 RGBWA-UV	Function	Rich colors option, LED pixel control, Auto Run, User-Defined
CCT	1800K~8000K	Dimensions	999x145x153mm
Lumen	2455lm	N.W.	7Kg
Beam angle	20° 30°	Housing material	Tensile Aluminum
Input voltage	AC100~240V, 50-60Hz	Housing color	Black
Power	128W	Power cable	3 Pin In & Out
Drive current	500mA	DMX cable	3 Pin In & Out
Dimming	16Bit	Electrical safety class	I
Cooling	Natural convection cooling	EMC	EMC , EMI
Control protocol	DMX512 , RDM	Permitted Ambient Temperature	-20°C~45 °C
DMX channel	6CH、8CH、12CH、90CH、96CH	IP Grade	IP65

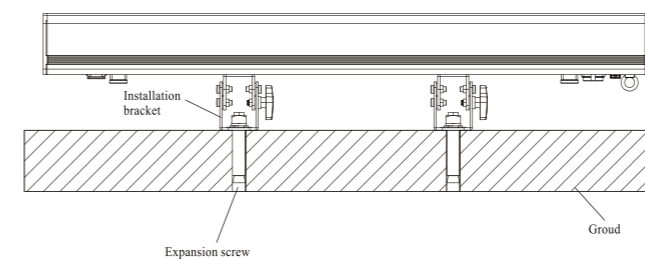
CT-021P-6C Optical Parameters



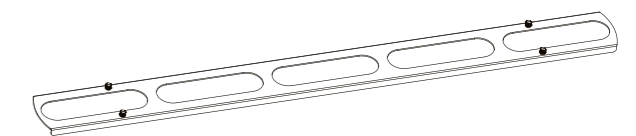
CT-021P-6C Specifications



CT-021P-6C Installation Instruction



CT-021P-6C Optional accessories





TPL-083C

Battery Light
IP54

- A professional battery light can be widely used in indoor and outdoor where you can't use strong current. (Light: IP65, Charging base: IP54)
- Color change is natural, with better color mixing
- DMX512 protocol and RDM function
- This fixture can be widely used in hotel, banquet, indoor and outdoor exhibition and other places.



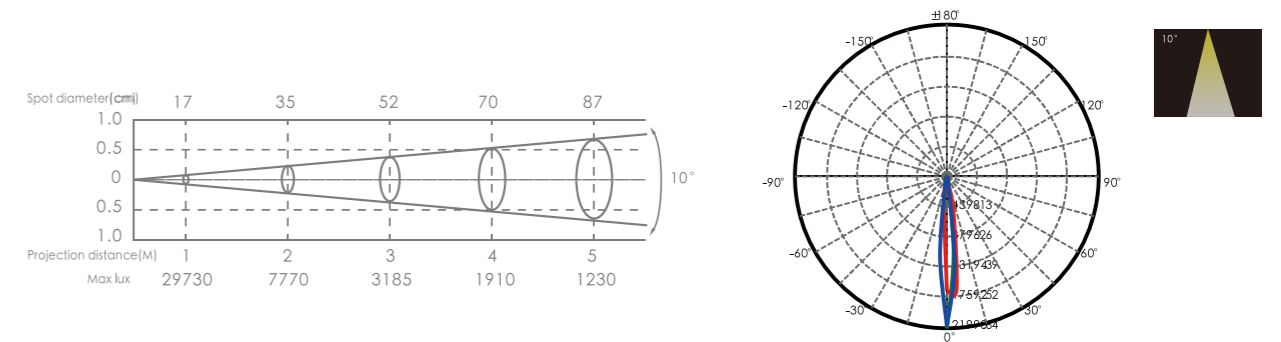
Housing color ■■■



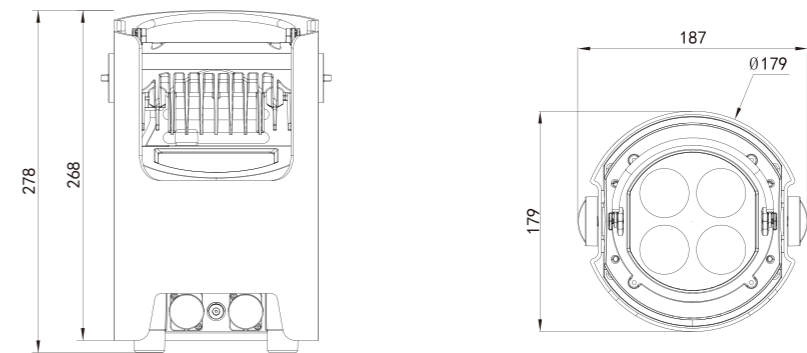
TPL-083C Parameter

LED Qty	4*12W 4 in 1 RGBW	Dimensions	187x179x278mm
Lumen	1315lm	N.W.	7Kg
Beam angle	10°	Housing material	Die-cast aluminium
Input voltage	24V with charging base and charging flight case	Housing color	Black
Power	75W	Power cable	/
Drive current	1A	DMX cable	Seetronic 3pins waterproof DMX input/output
Dimming	16Bit	Electrical safety class	I
Cooling	Natural convection cooling	EMC	EMC, EMI
Control protocol	DMX512, Wireless DMX	Permitted Ambient Temperature	-20°C~45°C
DMX channel	4CH, 6CH, 9CH	IP Grade	IP54
Function	Auto Run program, Auto Run effect, upgrade online, power management, change angle quickly		

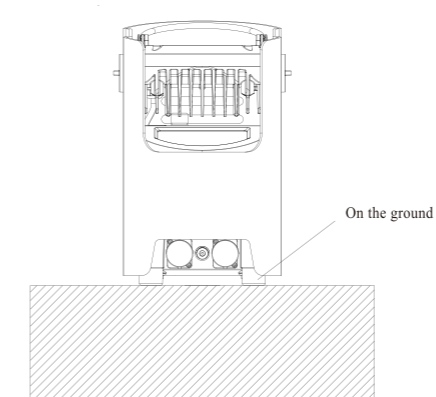
TPL-083C Optical Parameters



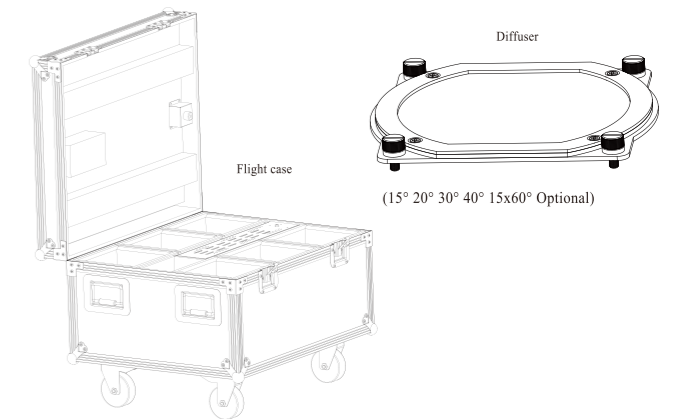
TPL-083C Specifications



TPL-083C Installation Instruction



TPL-083C Optional accessories

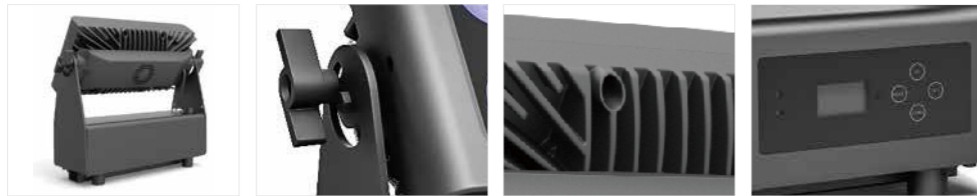




DC-100P

Seven colors can be flexibly adjusted, present rainbow water effect

- Smooth dimming
- DMX512, RDM, data bidirectional protocol
- Widely used for Cultural tourism market, theme park, Characteristic town, etc



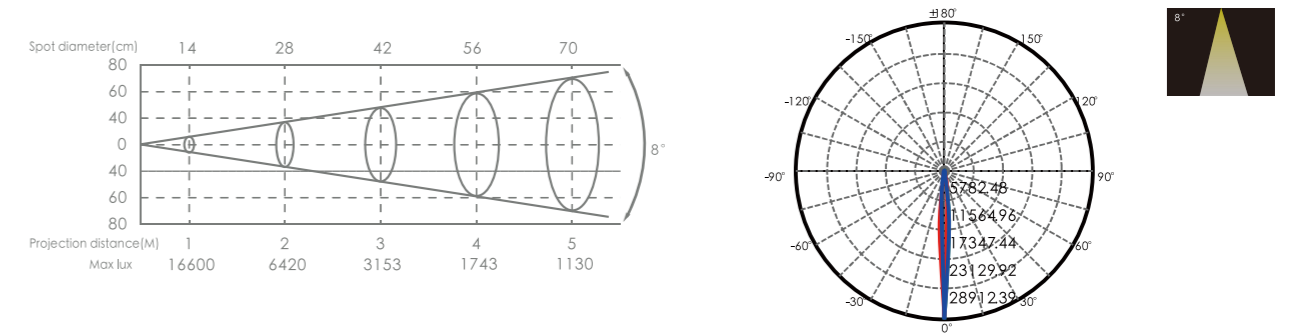
Housing color



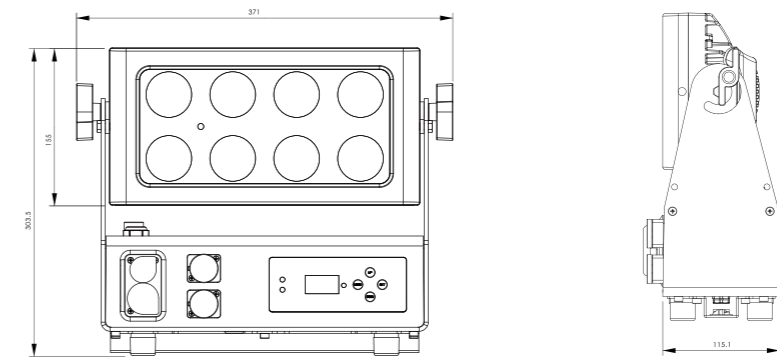
DC-100P Parameter

LED Qty	8*15W 4 in 1 RGBW	Dimensions	369x126x303mm
Lumen	566lm	N.W.	9Kg
Beam angle	4.5°、8°、20°	Housing material	Die-cast aluminium + Environmental Protection Flame Retardant ABS
Input voltage	AC110~240V,50-60Hz	Housing color	Black
Power	72W	Power cable	input/output Xi Shang waterproof power socket
Drive current	50mA	DMX cable	Seetronic 5pins waterproof DMX input/output
Dimming	16Bit	Electrical safety class	I
Cooling	Natural convection cooling	EMC	EMC、EMI
Control protocol	DMX512、 Wireless DMX	Permitted Ambient Temperature	-20°C~45°C
DMX channel	4CH、 6CH、 10CH	IP Grade	IP65
Function	Auto Run program,Auto Run effect,upgrade online,power management, change angle quickly		

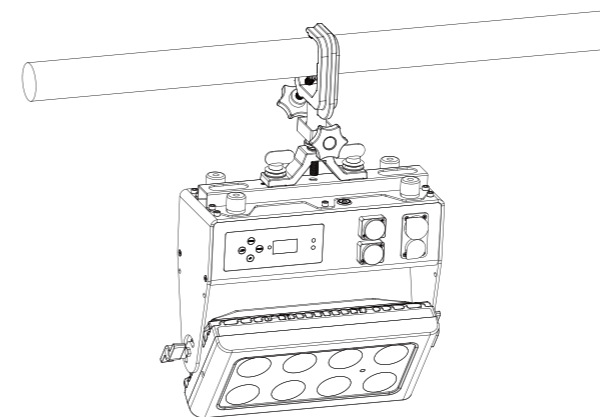
DC-100P Optical Parameters



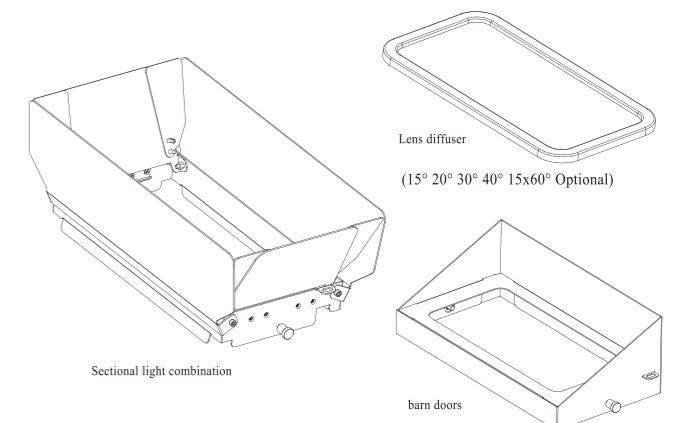
DC-100P Specifications



DC-100P Installation Instruction



DC-100P Optional accessories





DC-001
Battery Light
IP20

- A professional battery light can be widely used in indoor and outdoor where you can't use strong current.
- Color change is natural, with better color mixing
- DMX512 protocol and RDM function
- This fixture can be widely used in hotel, banquet, indoor and outdoor exhibition and other places



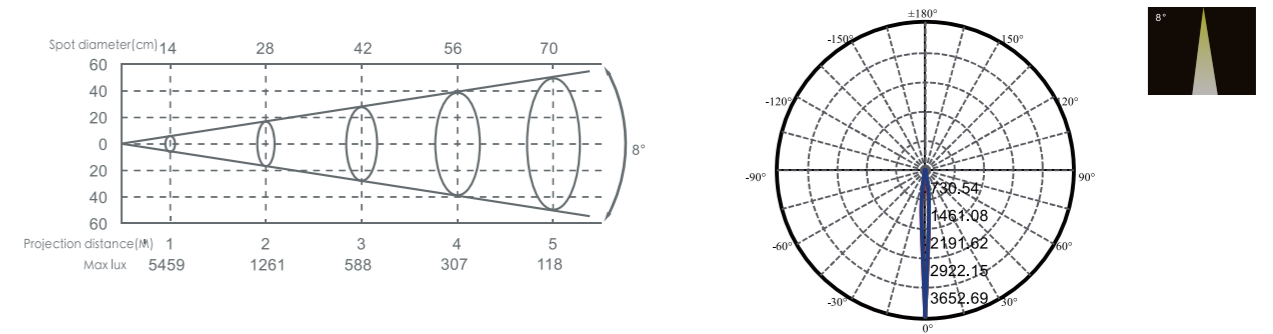
Housing color ■■■



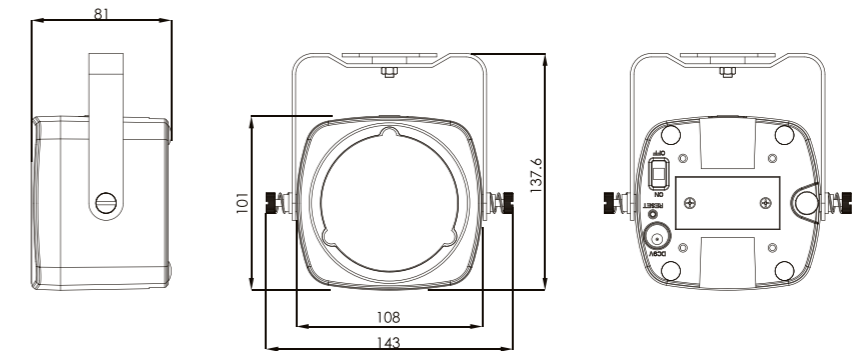
DC-001 Parameter

LED Qty	Prolight 15W RGBW	Dimensions	143.5x101x281mm
CCT	6500K	N.W.	0.8Kg
Lumen	120lm	Housing material	Plastic + Aluminium
Beam angle	8°	Housing color	Black
Input voltage	DC9V	Power cable	/
Power	20W	DMX cable	/
Drive current	400mA	Electrical safety class	I
Dimming	16Bit	EMC	EMC, EMI
Cooling	Natural convection cooling	Permitted Ambient Temperature	-10°C~45 °C
Control protocol	Manual / IR remote / APP	IP Grade	IP20
DMX channel	1CH, 2CH, 4CH, 5CH, 6CH, 9CH	Function	Manual, Power display, Auto-run, Custom effects

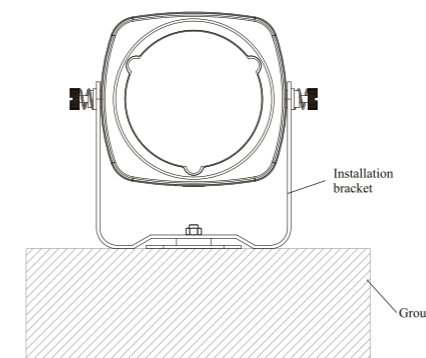
DC-001 Optical Parameters



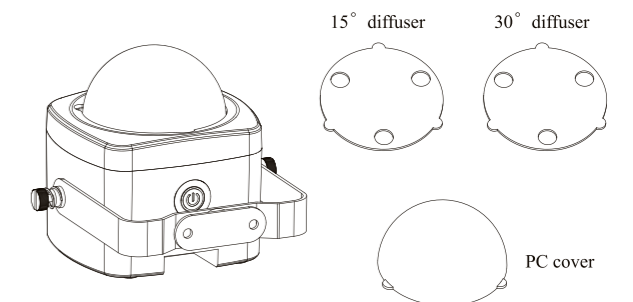
DC-001 Specifications



DC-001 Installation Instruction



DC-001 Optional accessories





FX-200P

Two-way blender
IP65

- A professional light weight two-way blender for indoor and outdoor use
- 1800k-5000k color temperature adjustable, at the same time, it can present RGB grounding effect
- 16bit dimming way
- DMX512 protocol and RDM function
- This fixture can be widely used in stage performance, live show, TV station and other places



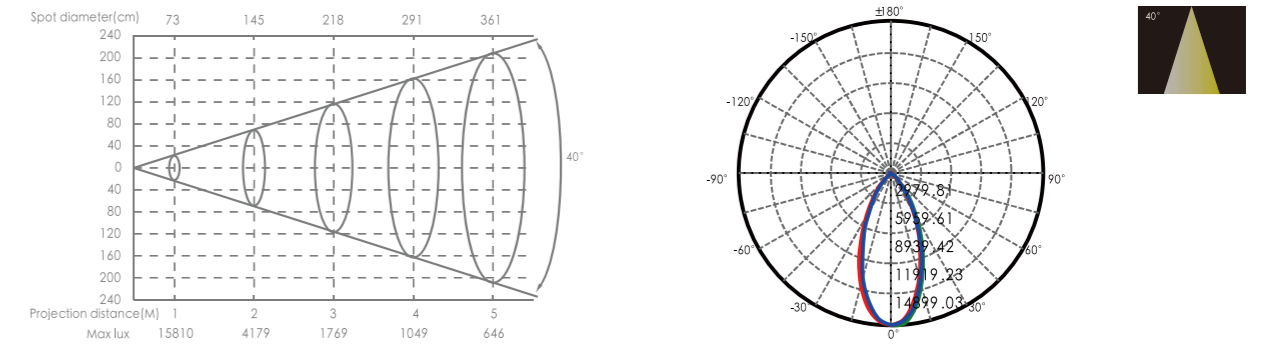
Housing color ■



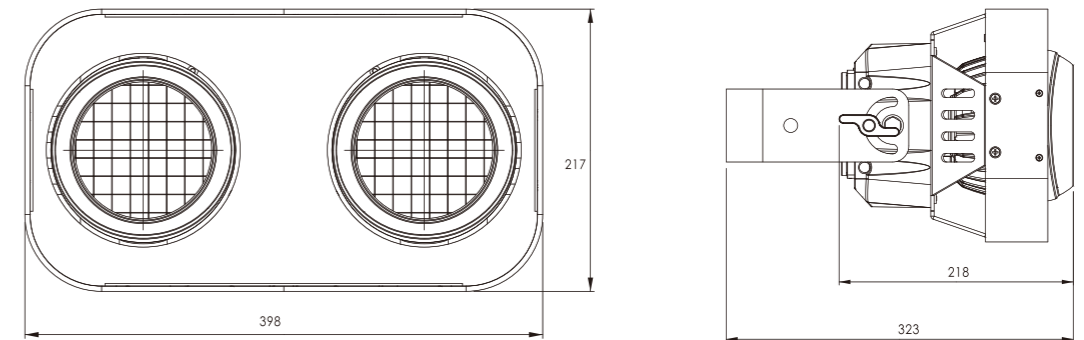
FX-200P Parameter

LED	2x90W customized 2 in 1 LEDs A/WW	Function	Auto Run program, Auto Run effect, RGB backlight
CCT	Amber:1800k Warm white:3000k	Dimensions	398x217x323mm
Lumen	10183lm	N.W.	7.3Kg
Beam angle	40°	Housing material	Die casting Magnesium+Aluminum Plate
Input voltage	AC100~240V,50-60Hz	Housing color	Black
Power	195W	Power cable	Input/output Xi Shang waterproof power socket
Drive current	2.8A	DMX cable	Input/output Xi Shang waterproof signal socket
Dimming	16Bit	Electrical safety class	I
Cooling	Die casting Magnesium + Fan cooling	EMC	EMC, EMI
Control protocol	DMX512(RDM)	Permitted Ambient Temperature	-20°C~45°C
DMX channel	5CH, 7CH, 10CH, 13CH, 17CH	IP Grade	IP65

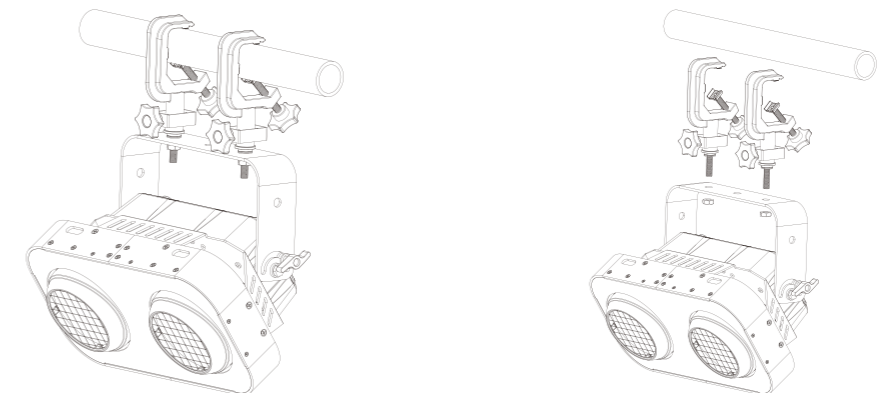
FX-200P Optical Parameters



FX-200P Specifications



FX-200P Installation Instruction





FX-300P

Four-way blinder
IP65

- A professional light weight four-way blinder for indoor and outdoor use
- 1800k-5000k color temperature adjustable, at the same time, it can present RGB grounding effect
- 16bit dimming way
- DMX512 protocol and RDM function
- This fixture can be widely used in stage performance, live show, TV station and other places



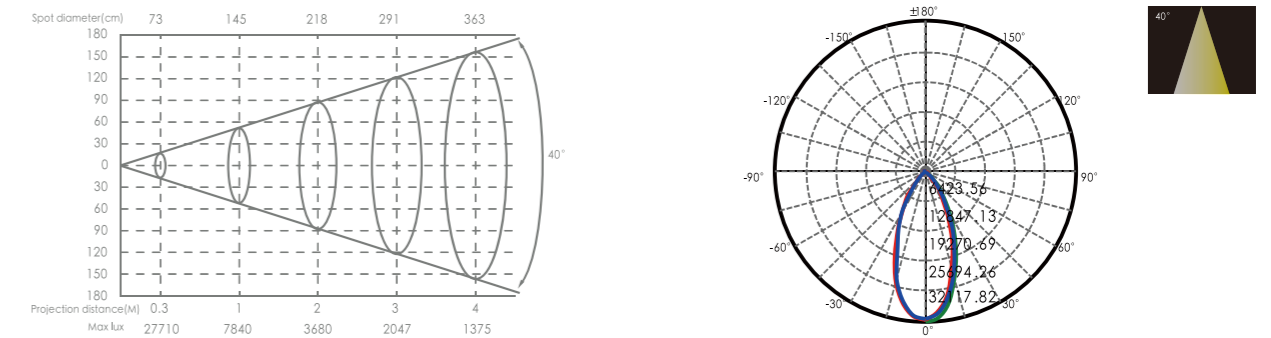
Housing color ■



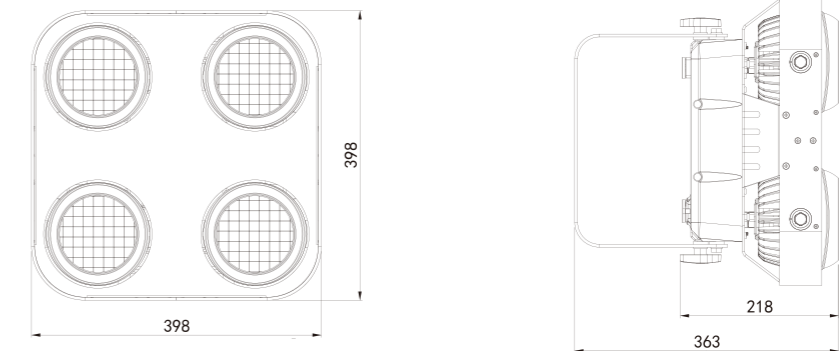
FX-300P Parameter

LED	4x90W customized 2 in 1 LEDs A/WW	Function	Auto Run program,Auto Run effect,RGB backlight
CCT	Amber:1800k Warm white:3000k	Dimensions	398x398x363mm
Lumen	20989lm	N.W.	11Kg
Beam angle	40°	Housing material	Die casting Magnesium+Aluminum Plate
Input voltage	AC100~240V,50-60Hz	Housing color	Black
Power	390W	Power cable	Input/output Xi Shang waterproof power socket
Drive current	2.8A	DMX cable	Input/output Xi Shang waterproof signal socket
Dimming	16Bit	Electrical safety class	I
Cooling	Die casting Magnesium + Fan cooling	EMC	EMC、EMI
Control protocol	DMX512(RDM)	Permitted Ambient Temperature	-20°C~45°C
DMX channel	7CH、9CH、20CH、23CH、27CH	IP Grade	IP65

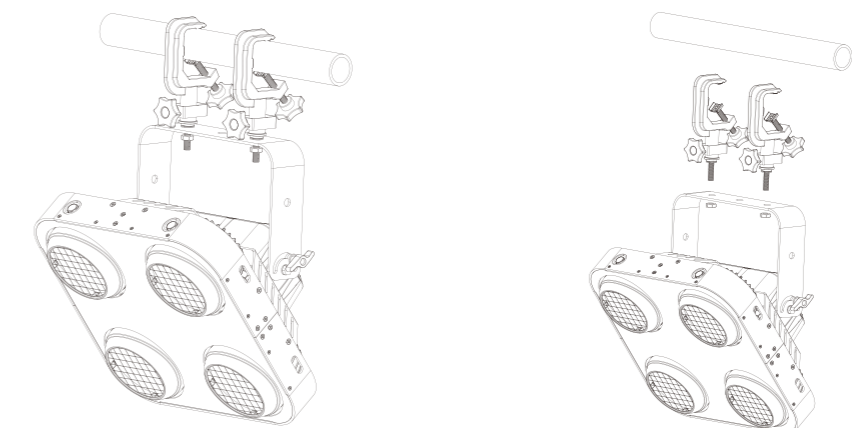
FX-300P Optical Parameters



FX-300P Specifications



FX-300P Installation Instruction





XY-101BEAM

Professional LED Medium Watt White-color Beam Moving Head

- Rich Color Wheels, present rainbow flowing water effect
- High quality optical system, super-clear LOGO
- Light weight, Pan/Tilt response sensitively
- Professional for different occasions, like auditorium, banquet hall, bar, rental.



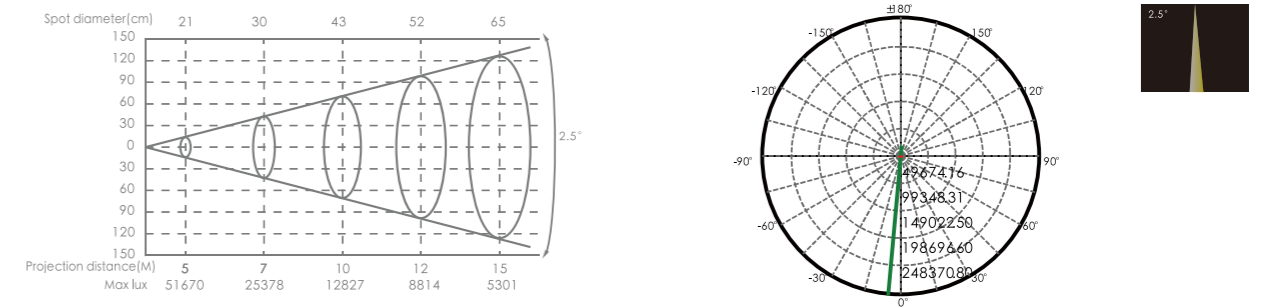
Housing color ■■■



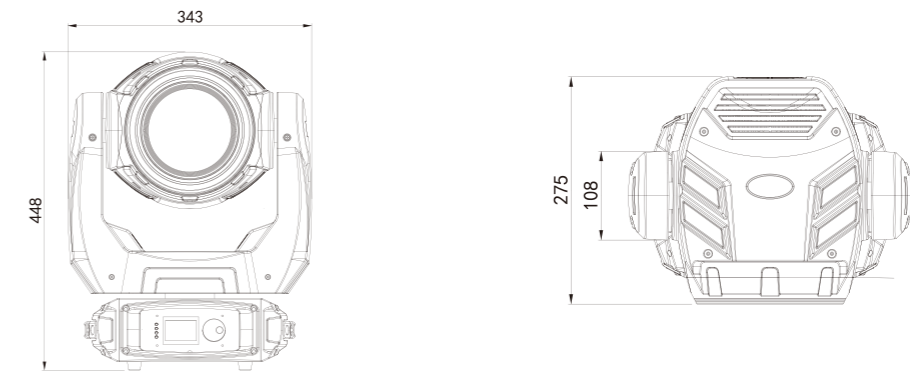
XY-101BEAM Parameter

LED Qty	80W LED	Color	14 colors+white/eight-color wheel(rainbow effect,speed can be adjusted)
CCT	6500K	Prism	Octagonal prism+Quadri linear prism
Lumen	1533lm	Focus	Electrill focus
Beam angle	2.5°	Dimensions	343x275x448mm
Input voltage	AC100~240V,50-60Hz	N.W.	14.7Kg
Power	150W	Housing material	Environmental Protection Flame Retardant ABS+Aluminum plate
Drive current	6A	Housing color	Black
Dimming	16Bit	Power cable	Powercon in&out
Cooling	Fins+fan	DMX cable	XLR 3pin in&out
Control protocol	DMX512	Electrical safety class	I
DMX channel	13CH, 16CH	EMC	EMC, EMI
Rotation type/range	Pan 540°, Tilt 270°	Permitted Ambient Temperature	-10°C~45°C
Fixed gobo	1(14+1 rotating gobos,gobo jitter,gobo positive and negative rotation)	IP Grade	IP20

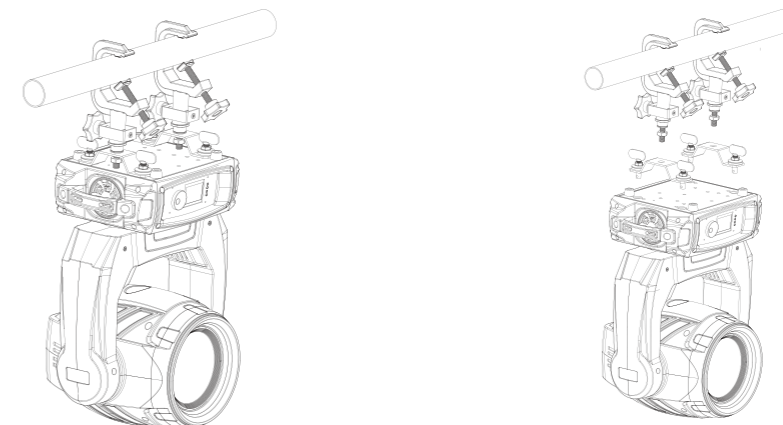
XY-101BEAM Optical Parameters



XY-101BEAM Specifications



XY-101BEAM Installation Instruction





Scan the code to see details



XY-012A

Professional 12*10W LED Full Range Washer Zoom Moving Head RGBW 4-in-1

- Electrical Zoom System 5-60°
- Light weight, Pan/Tilt response sensitively
- Professional for stage performance, stage rim light, auditorium, banquet hall, bar, rental, etc



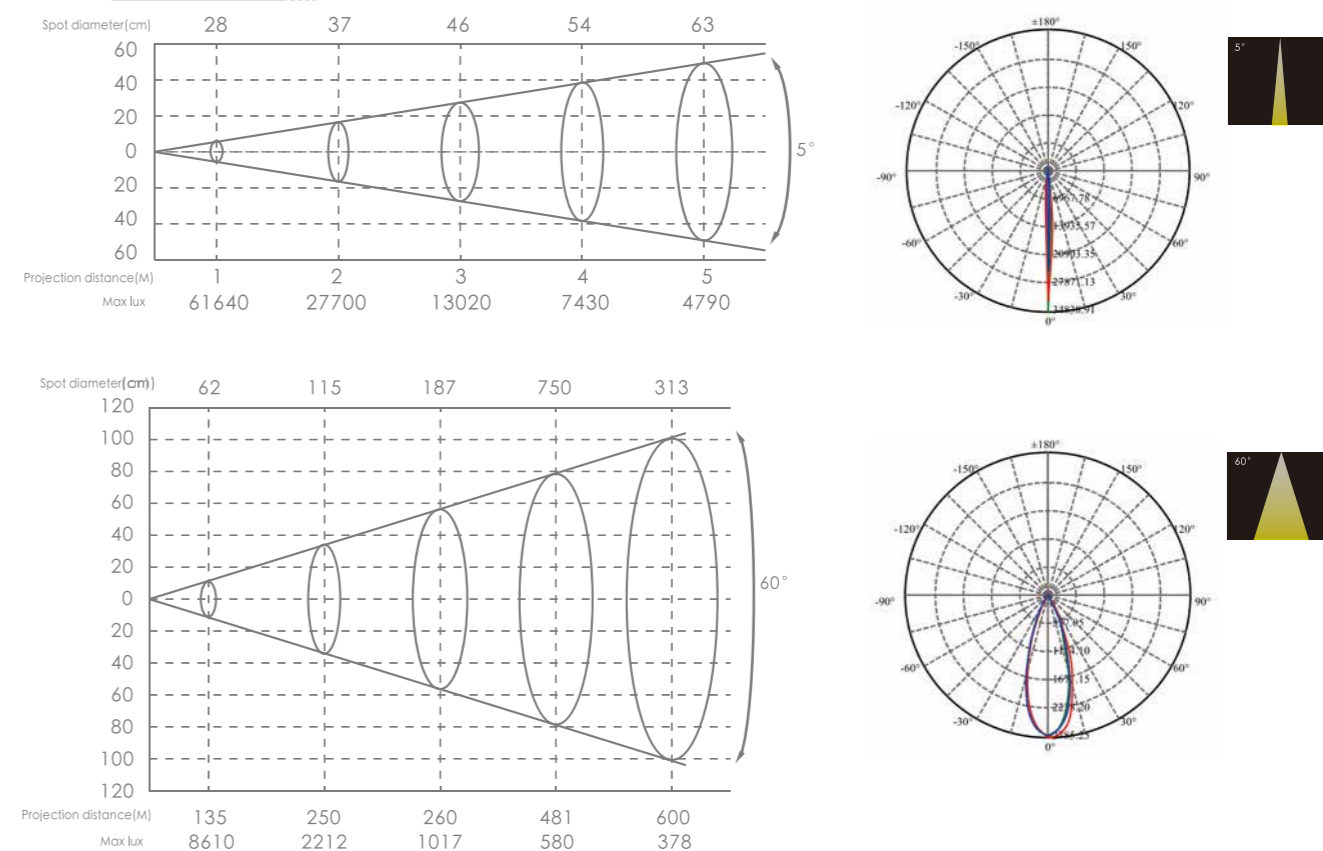
Housing color



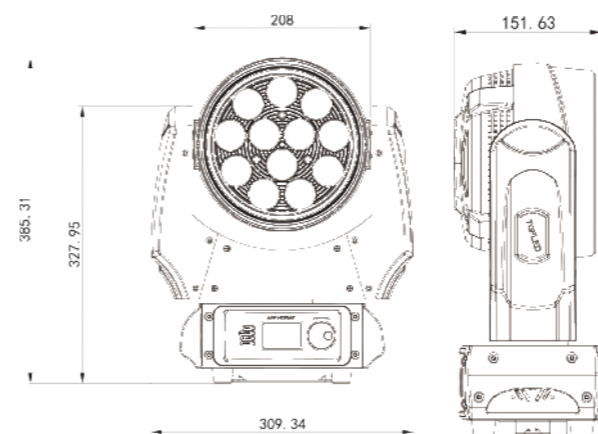
XY-012A Parameter

LED Qty	12*10W RGBW 4-in-1	Dimensions	310x152x385mm
Lumen	959lm	N.W.	6.9Kg
Beam angle	5°~60°	Housing material	Environmental Protection Flame Retardant ABS+Aluminum plate
Input voltage	AC100~240V,50-60Hz	Housing color	Black
Power	128W	Power cable	Powercon in&out
Drive current	700mA	DMX cable	XLR 3pin in&out
Dimming	16Bit	Electrical safety class	I
Cooling	Fins+fan	EMC	EMC、EMI
Control protocol	DMX512	Permitted Ambient Temperature	-10°C~45°C
DMX channel	10CH、16CH、26CH	IP Grade	IP20
Otation type/range	Pan Infinite, Tilt Infinite		

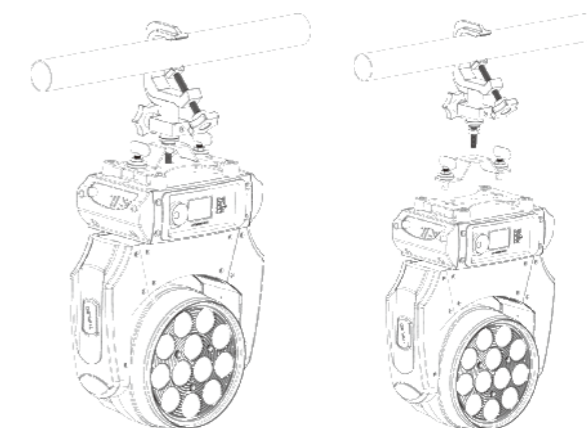
XY-012A Optical Parameters



XY-012A Specifications



XY-012A Installation Instruction





Scan the code to see details



XY-019A

Professional 19*10W LED Full Range Washer Zoom Moving Head RGBW 4-in-1

- Electrical Zoom System 5-60°
- Light weight, Pan/Tilt response sensitively
- Professional for stage performance, stage rim light, auditorium, banquet hall, bar, rental, etc



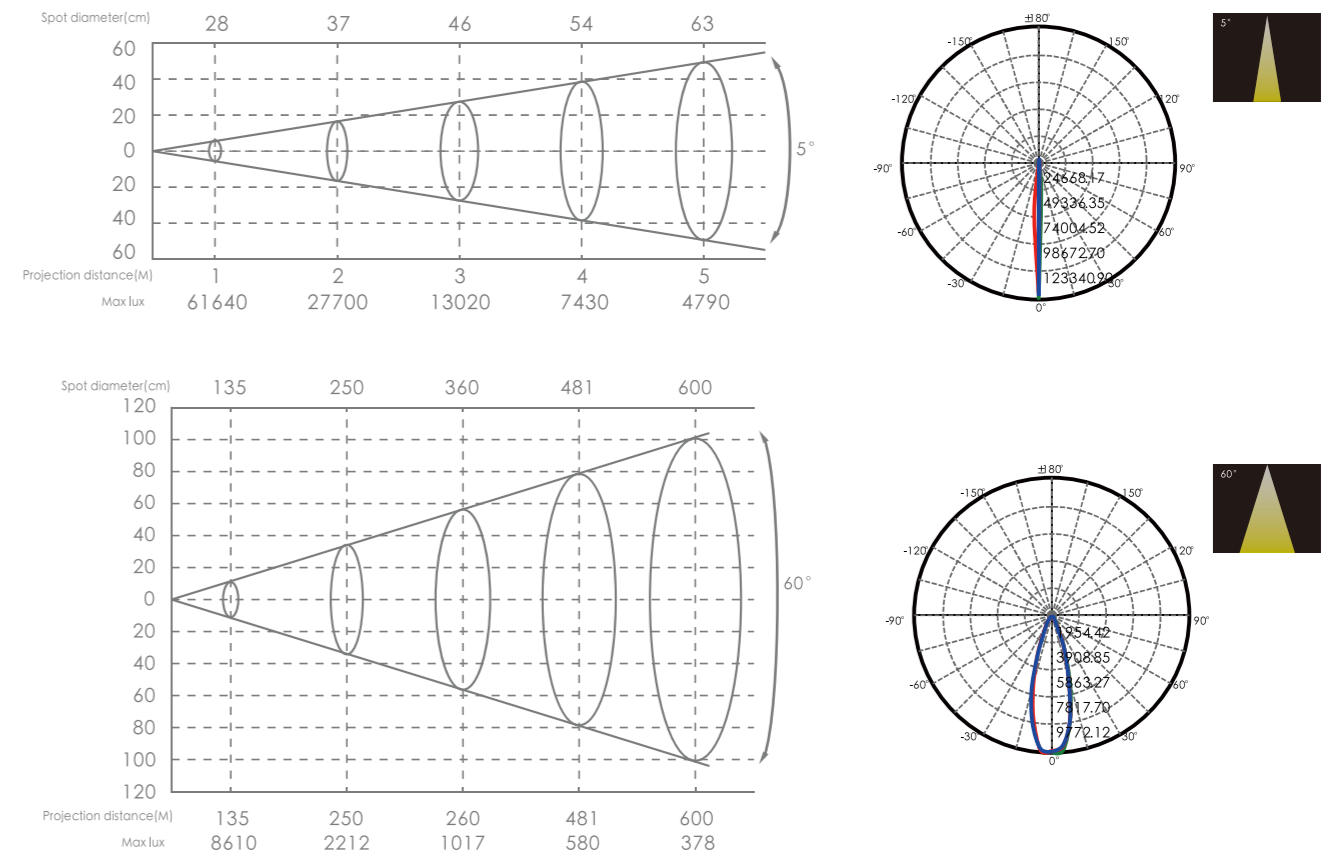
Housing color ■



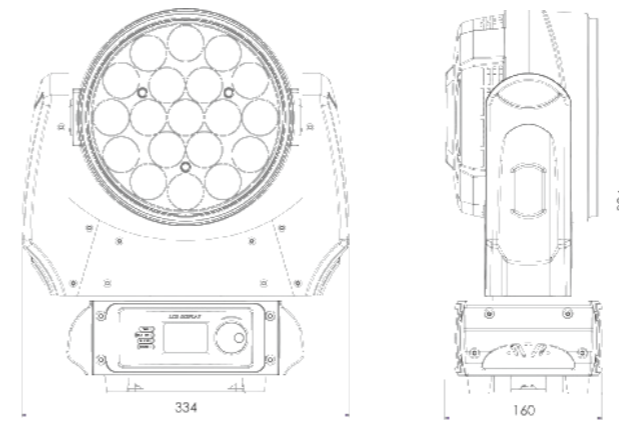
XY-019A Parameter

LED Qty	19*10W RGBW 4-in-1	Dimensions	310x152x385mm
Lumen	3078lm	N.W.	6.9Kg
Beam angle	5°~60°	Housing material	Environmental Protection Flame Retardant ABS+Aluminum plate
Input voltage	AC100~240V,50-60Hz	Housing color	Black
Power	208W	Power cable	Powercon in&out
Drive current	700mA	DMX cable	XLR 3pin in&out
Dimming	16Bit	Electrical safety class	I
Cooling	Fins+fan	EMC	EMC、EMI
Control protocol	DMX512	Permitted Ambient Temperature	-10°C~45°C
DMX channel	10CH、16CH、26CH	IP Grade	IP20
Otation type/range	Pan Infinite, Tilt Infinite		

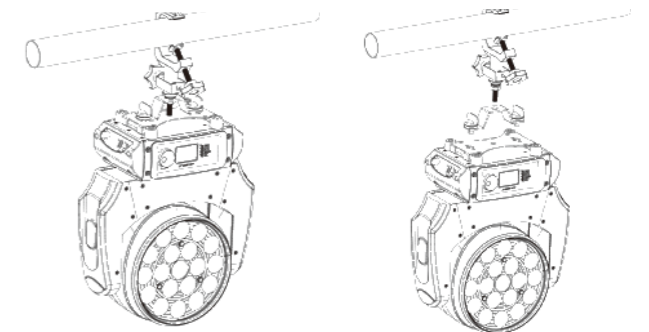
XY-019A Optical Parameters



XY-019A Specifications



XY-019A Installation Instruction





XY-037

Professional 37*10W LED Full Range Washer Zoom Moving Head RGBW 4-in-1

- Electrical zoom system, 5°-60°
- Professional for stage performance, stage rim light, auditorium, banquet hall, bar, rental, etc



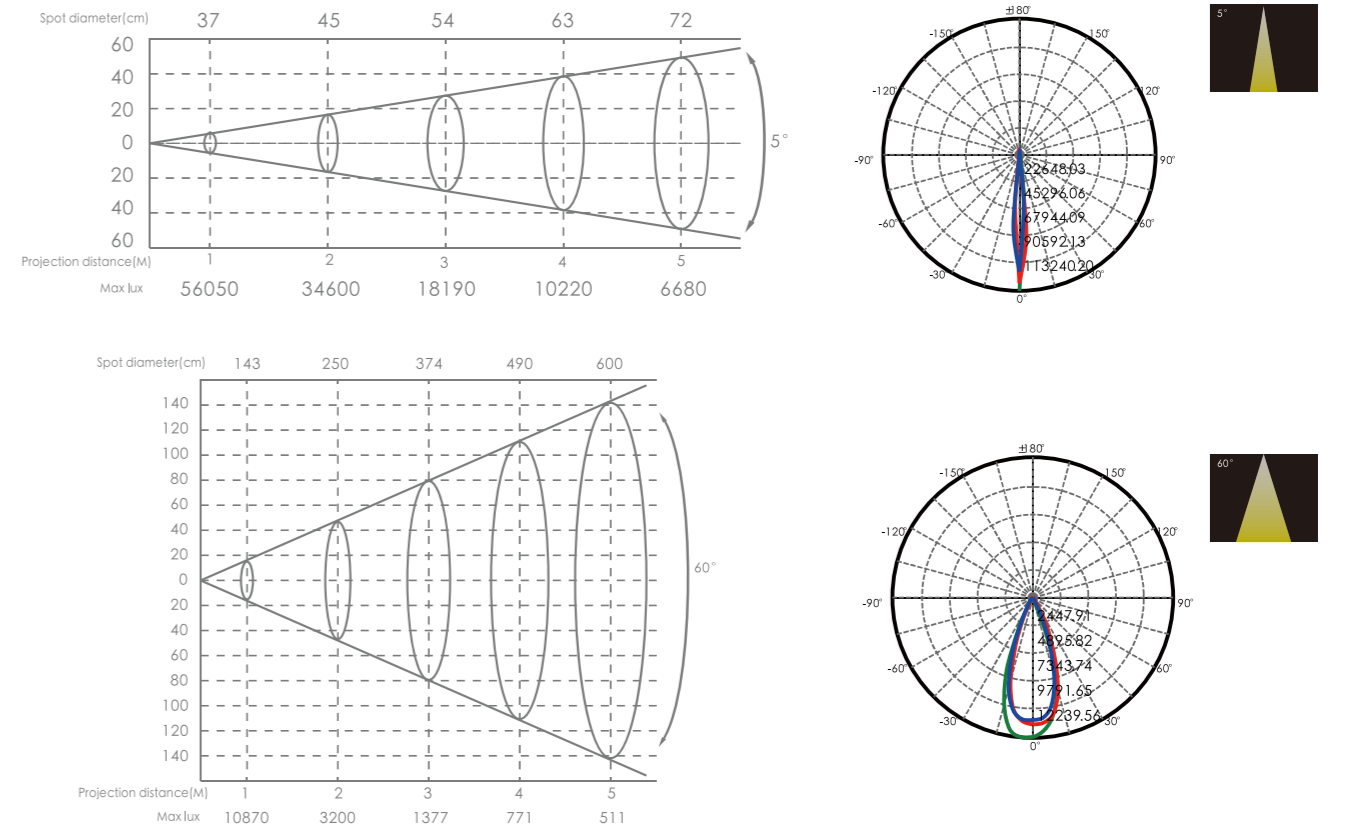
Housing color ■■■



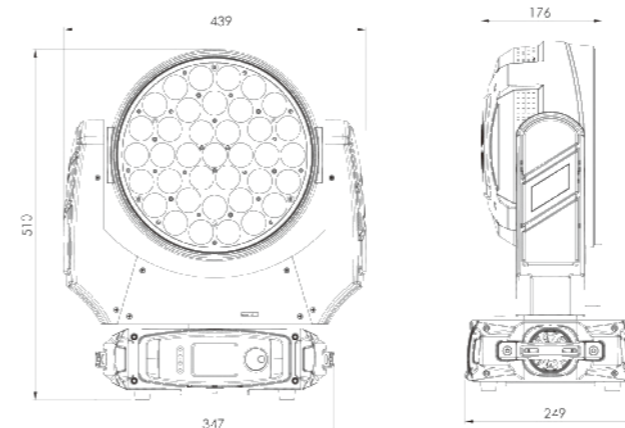
XY-037 Parameter

LED Qty	37*10W RGBW 4-in-1 LED	Dimensions	439x249x510mm
Lumen	4681lm	N.W.	13.8Kg
Beam angle	5°-60°	Housing material	Environmental Protection Flame Retardant ABS+Aluminum plate
Input voltage	AC100~240V,50-60Hz	Housing color	Black
Power	370W	Power cable	Powercon in&out
Drive current	700mA	DMX cable	3pin, 5pin in&out
Dimming	16Bit	Electrical safety class	I
Cooling	Fins+fan	EMC	EMC、EMI
Control protocol	DMX512	Permitted Ambient Temperature	-10°C~45°C
DMX channel	9CH、12CH、29CH	IP Grade	IP20
Otation type/range	Pan 540° Tilt 270°		

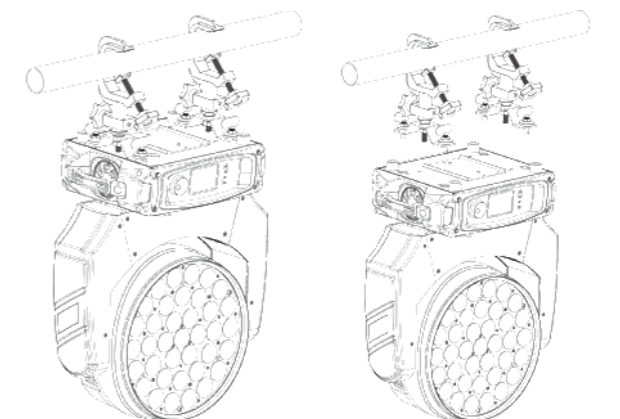
XY-037 Optical Parameters



XY-037 Specifications



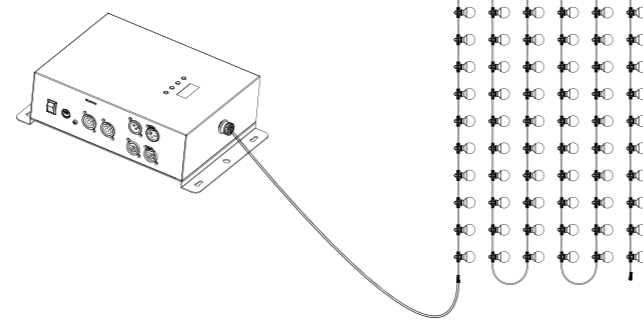
XY-037 Installation Instruction





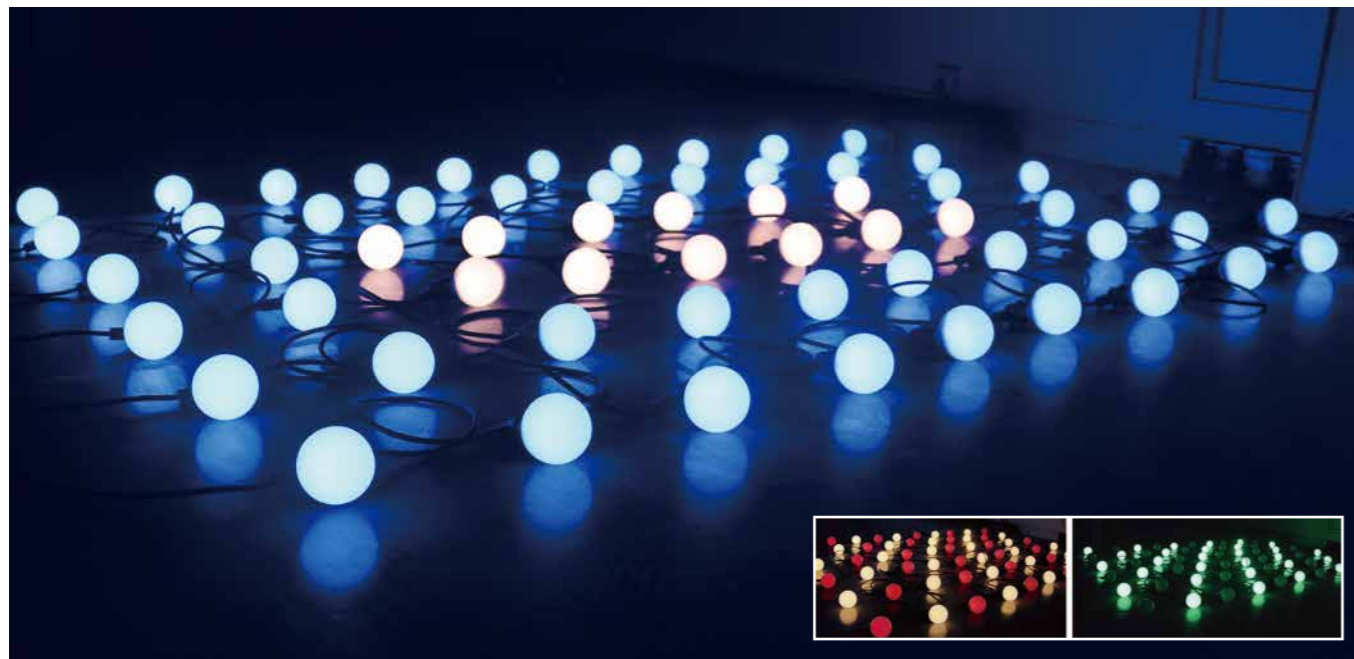
KZ-001

- A professional LED Bulb for indoor and outdoor use
- According to the regularity and irregularity of carrier, we can make all kinds of different shape
- Color change is natural, with better color mixing
- Pixel independently control RGBW which can present the rainbow and flowing water effect
- This fixture can be specialized in stage performance, live show, TV station and other places



KZ-001 Parameter

LED	1x1.8W(6pcs) 5050 RGBW LEDs	Dimensions	Control box measurement: 315x200x92mm The bulb measurement: 15m/pcs, 3pcs in total
Beam angle	245°、170°	N.W.	Control box: 2.3kg, one bulb wire: 3.8kg
Input voltage	AC100~240V,50-60Hz	Housing material	Iron plate
Power	116W	Housing color	Black
Drive current	20mA	Power cable	Rubber rotation socket: input/output
Dimming	8Bit	DMX cable	3 pin input/output
Cooling	Natural convection cooling	Electrical safety class	I
Control protocol	Artnet/DMX	EMC	EMC、EMI
DMX channel	4CHS、6CHS、240CHS	Permitted Ambient Temperature	-10°C~45°C
Function	Off-line working, With a rich effect in content, Arnet controlling	IP Grade	IP54



KZ-002-A

- The controller supports and extends 8 DMX512 port which can support and control more products for Master Controller
- It also supports the flexible transmaton in RDM function , Ethernet and DMX protocol
- We can set up the Ethernet on the same local area network according to different control equipment
- Products controlled performing and running stably through the technology of signal antiinterference



KZ-002-A Parameter

Cooling	Natural convection cooling	Power cable	Rubber rotation socket: input/output
Control protocol	Artnet/DMX	DMX cable	2 Arnet port with 3 pin ,8 DMX port
Function	RDM online upgrade , Arnet input/output setting, 8 DMX input/output can switchover randomly	Electrical safety class	I
Dimensions	483x178x49mm	EMC	EMC、EMI
N.W.	1Kg	Permitted Ambient Temperature	-10°C~45°C
Housing material	Tensile aluminum + Iron plate	IP Grade	IP20
Housing color	Black		





KZ-003

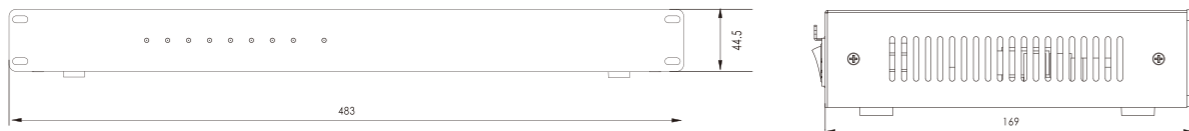
- A strong anti-interference signal amplifier, it enhances the signal transmission
- It supports two circuit input and eight circuit output
- It can support RDM transmission, make sure the matching in RDM between fixtures and control system
- It also can resist high voltage up to 1000V



KZ-003 Parameter

Input voltage	AC100-240V,50-60Hz	Housing color	Black
Power	3W	Power cable	Input/output rotation power socket
Cooling	Natural convection cooling	DMX cable	Input/output 3 pin signal socket
Control protocol	DMX512/RDM	Electrical safety class	I
Dimensions	483*170*49mm	EMC	EMC,EMI
N.W.	1.94KG	Permitted Ambient Temperature	-20 ~ +45°C
Housing material	Cold-rolled plate		

KZ-003 Specifications



MYLED-301B

- It also supports the flexible transformation in RDM function, Ethernet and DMX protocol
- We can set up the Ethernet on the same local area network according to different control equipment
- Products controlled performing and running stably through the technology of signal anti-interference
- Dedicated development for MYLED-301B



MYLED-301B Parameter

Cooling	Natural convection cooling	Power cable	DC5V,9V Adapter
Control protocol	Artnet/DMX	DMX cable	3 Arnet port, 2 DMX port with 3 pin
Function	Input/output Arnet setting, it supports RDM function	Electrical safety class	I
Dimensions	160x92x43mm	EMC	EMC, EMI
N.W.	0.4Kg	Permitted Ambient Temperature	-10°C~45°C
Housing material	Iron plate	IP Grade	IP20
Housing color	Black		





Scan the code to see details



KZ-005A

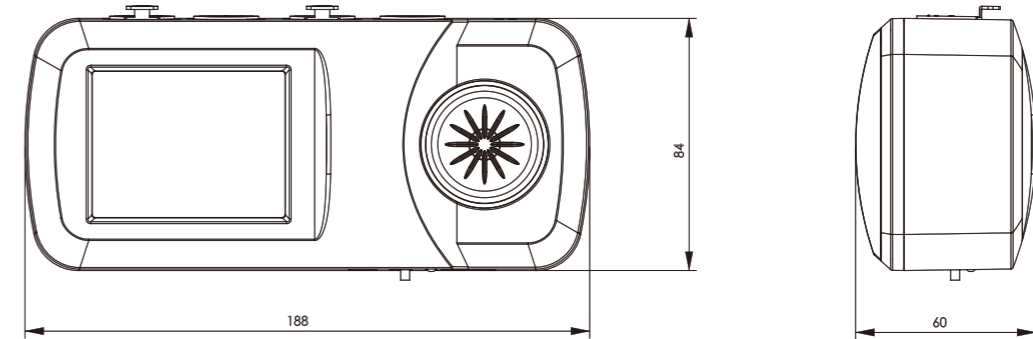
- It also supports the DMX 512 protocol, RDM and Ethernet protocol
- Hand-hold DMX512 Controller which supports 512 channels
- It can check and conform the signal is normal or not
- It can update the fixture software in different circuit online
- It also can compile the lighting's address code in bulk



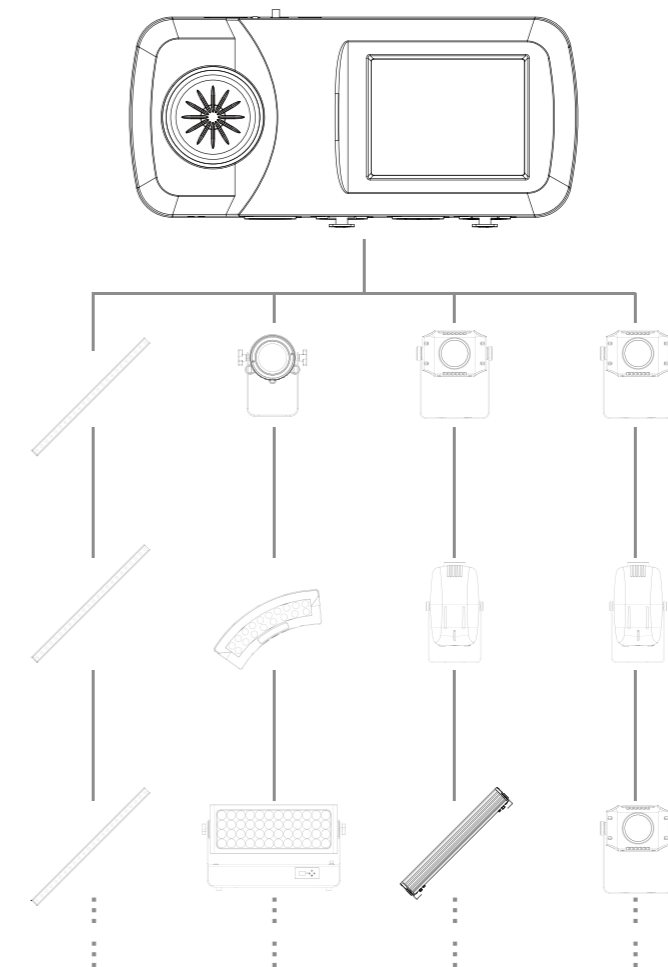
KZ-005A Parameter

Input voltage	DC5V	Housing color	Black1 stoving varnish
Cooling	Natural convection cooling	Power cable	USB connection
Dimensions	188*84*60MM	DMX cable	USB transform to DMX
N.W.	0.46KG	Electrical safety class	I
Housing material	Photosensitive resin	Permitted Ambient Temperature	-20 ~ +45°C

KZ-005A Specifications



KZ-005A Control topology



- Check DMX loop information
- Simple editing fixture effect
- Batch upgrade lighting software
- Bulk write address code
- RDM feedback luminaire information
- ARTNET protocol output

Dasen culture 达森文化

Vision: become a leading brand in the world LED lighting industry
 Enterprise mission: to create brilliant value and achieve team dream
 China has made great efforts to create the world
 Enterprise spirit: cohesion (family culture), fighting force (army
 Team culture), learning force (school culture)
 Core values: responsibility, integrity, gratitude

企业愿景: 成为世界LED灯光行业领先品牌

企业使命: 创造光彩价值, 成就团队梦想, 为中国创造走向世界而努力奋斗

企业精神: 凝聚力(家庭文化)、战斗力(军队文化)、学习力(学校文化)

核心价值观: 责任、诚信、感恩



达森文化:
我们是一家人

企业精神: 凝聚力
(家庭文化)、
战斗力(军队文化)、
学习力(学校文化)

Dasen Culture:
We are family

Culture Spirit:
Cohesion(family culture)
Fighting capacity(military culture)
Learning capacity(school culture)

