



CT-020P-6C
6-in-1 Colorful LED Bar Light

- 6-in-1 RGBWLC with good optic len, Color change is natural, with better color mixing
- Good color mixing and high CRI rate
- 16Bit dimming way
- DMX512 protocol and RDM function
- This fixture can be specialized in rental company, studio, auditorium, bar, and other places, widely used in the footlight of stage performance, rim light of stage



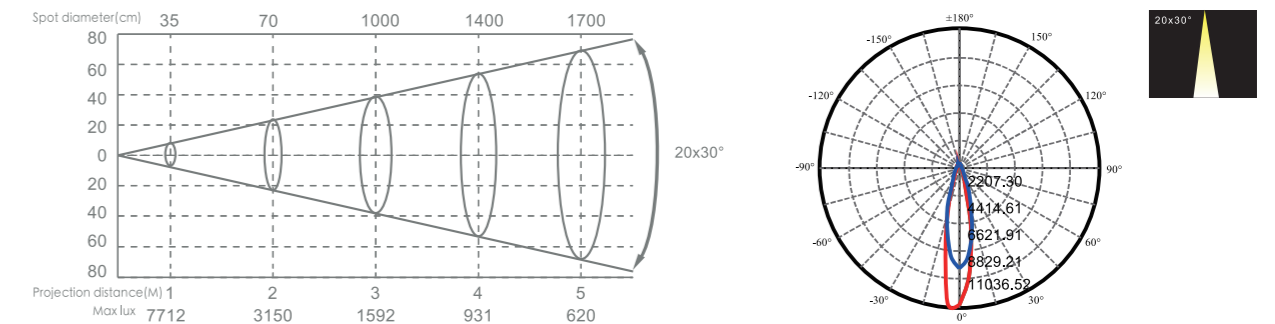
Housing color can be customized



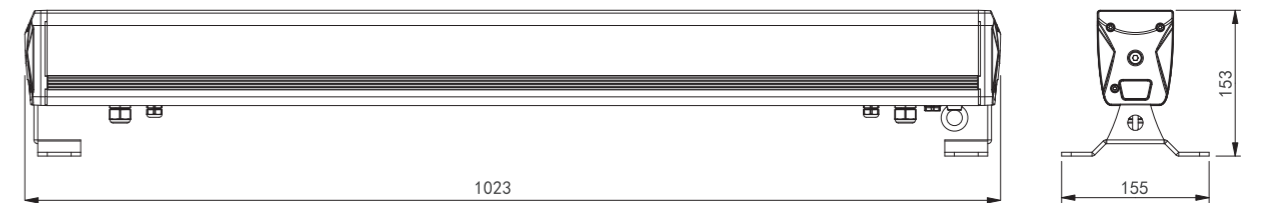
CT-020P-6C Parameter

LED Qty	15pcs*10W 6-in-1 RGBALC 15pcs*10W 6-in-1 RGBWA-UV	Function	The whole section control, rich colors option, Auto Run, User-Defined
CCT	1800K~8000K	Dimensions	1023x154.6x153mm
Lumen	2455lm	N.W.	7Kg
Beam angle	20*30°	Housing material	Tensile Aluminum
Input voltage	AC100~240V, 50-60Hz	Housing color	Black
Power	128W	Power cable	3 Pin In & Out
Drive current	500mA	DMX cable	3 Pin In & Out
Dimming	16Bit	Electrical safety class	I
Cooling	Natural convection cooling	EMC	EMC - EMI
Control protocol	DMX512 - RDM	Permitted Ambient Temperature	-20°C~45°C
DMX channel	6CH - 8CH - 12CH	IP Grade	IP65

CT-020P-6C Optical Parameters



CT-020P-6C Specifications



CT-020P-6C Installation Instruction

